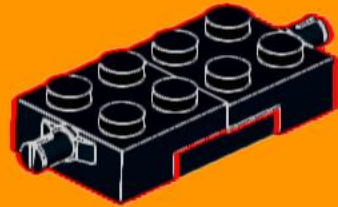


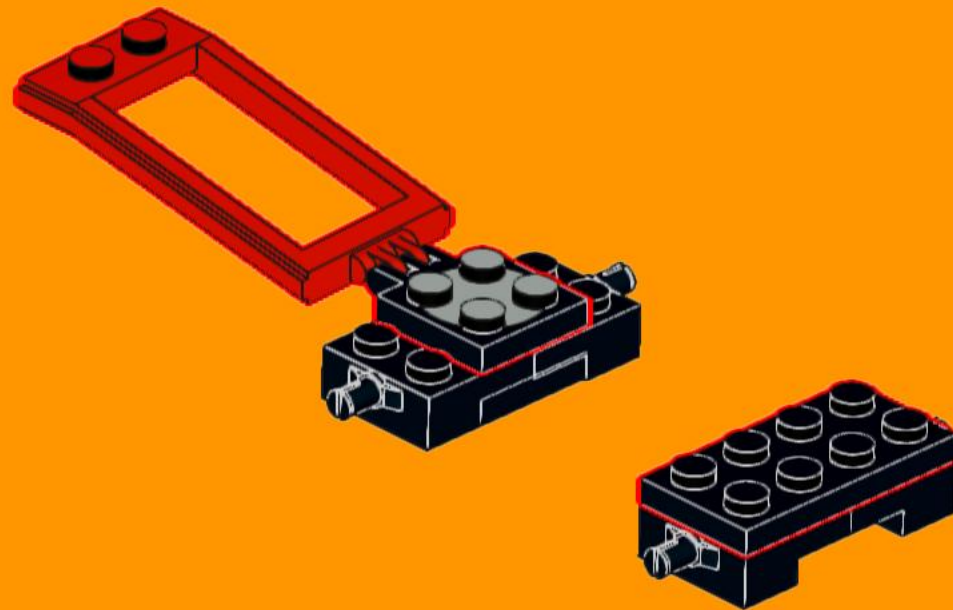
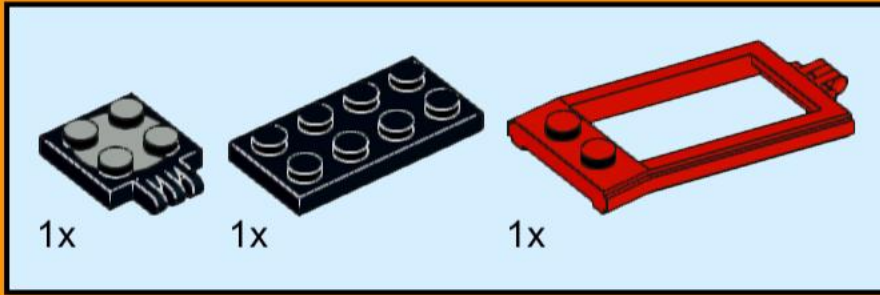
1



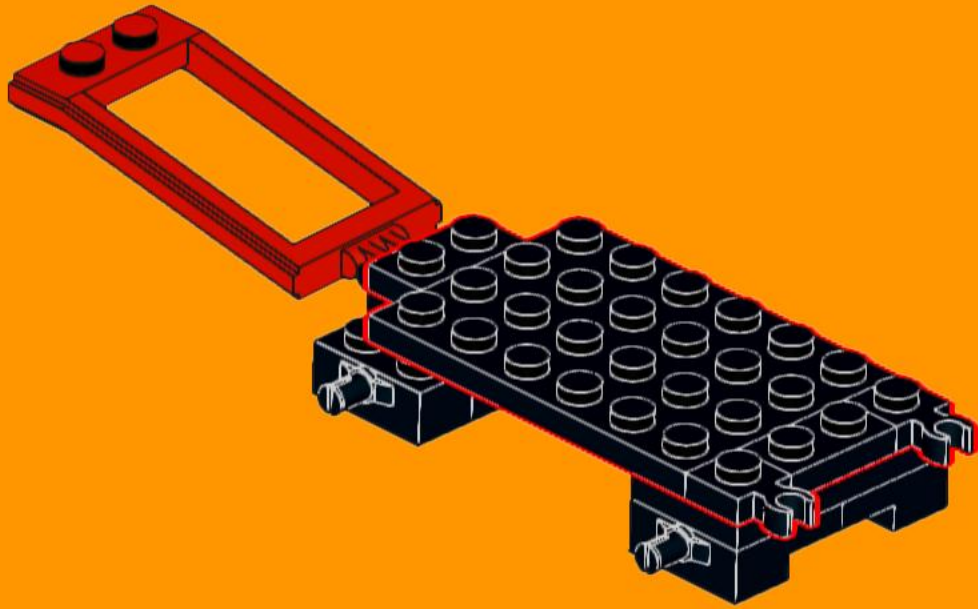
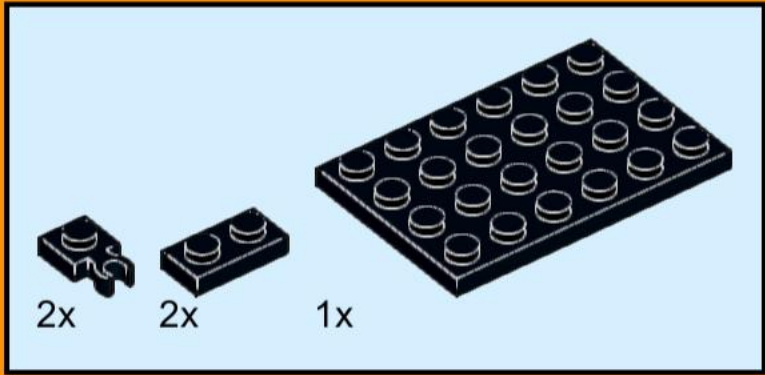
2



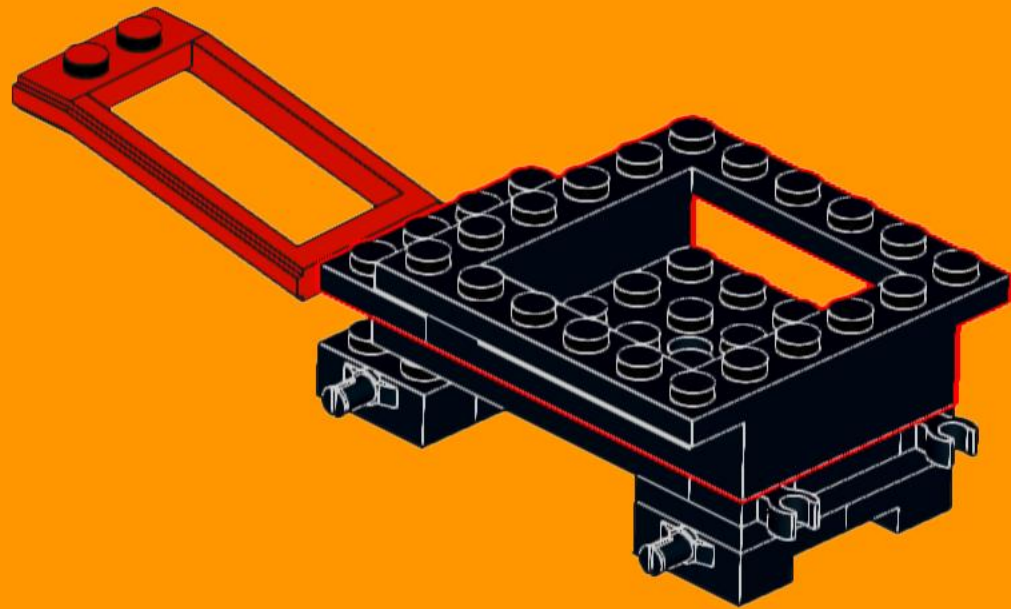
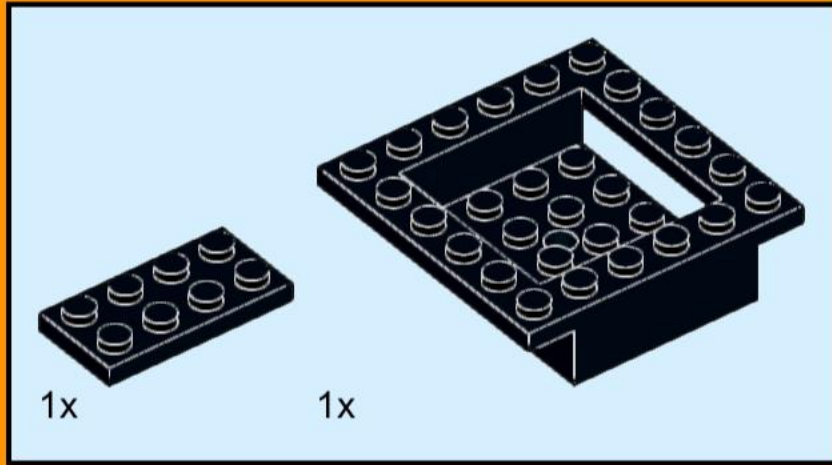
3



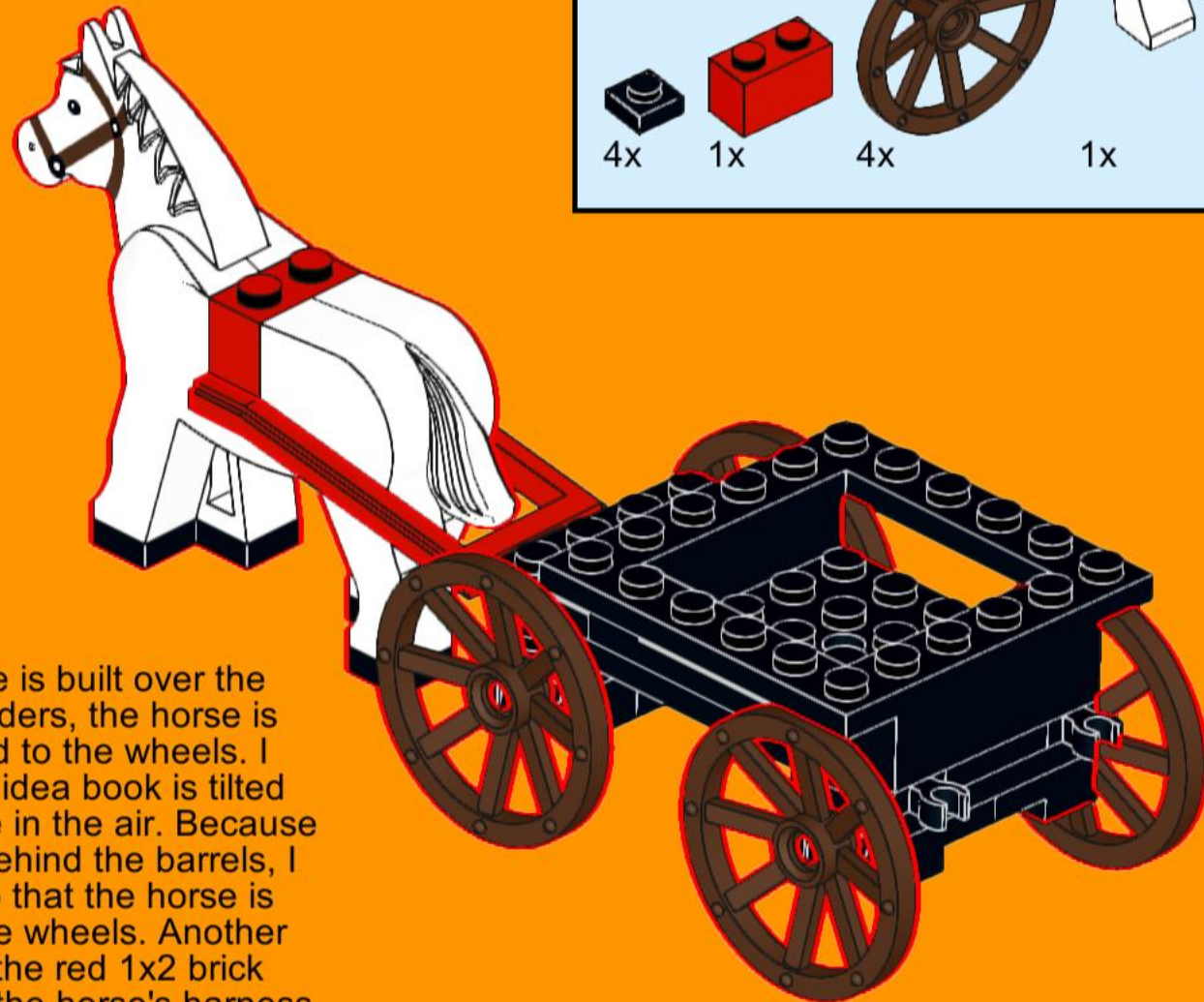
4



5



6

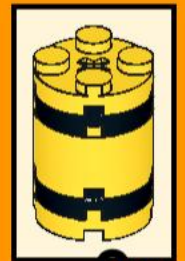
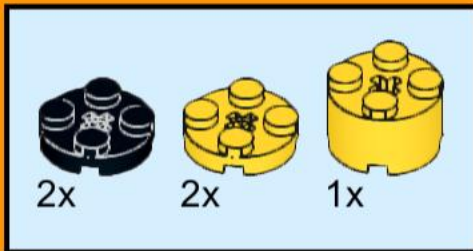


Since the turntable with hinge is built over the 2x2 plates with the wheel holders, the horse is raised by one plate compared to the wheels. I assume that the horse in the idea book is tilted forward and the hind legs are in the air. Because the horse's feet are hidden behind the barrels, I added some "horseshoes" so that the horse is back on the same level as the wheels. Another solution would be to replace the red 1x2 brick with a white 1x2 plate below the horse's harness and two red 1x2 plates above it.

7

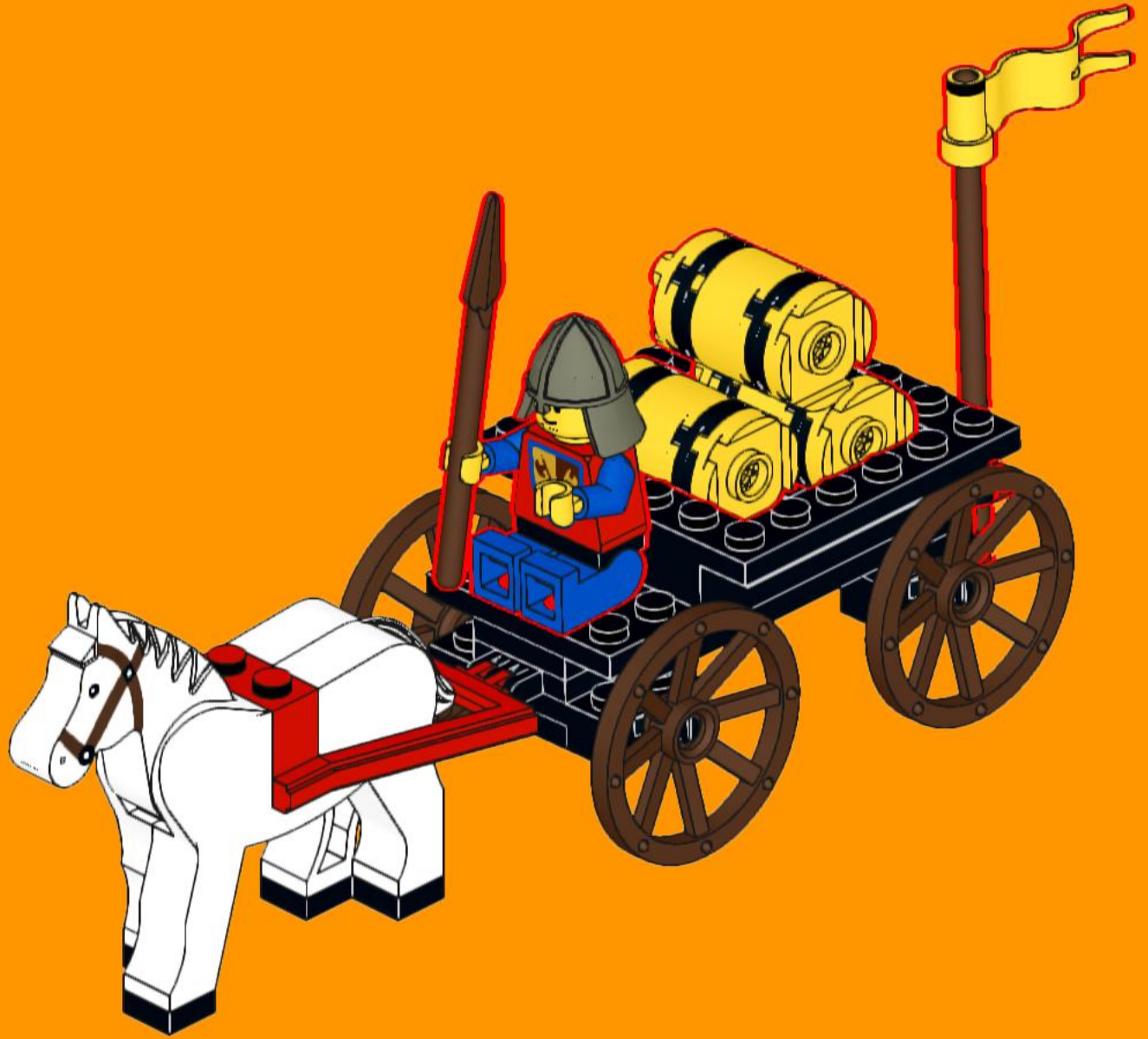
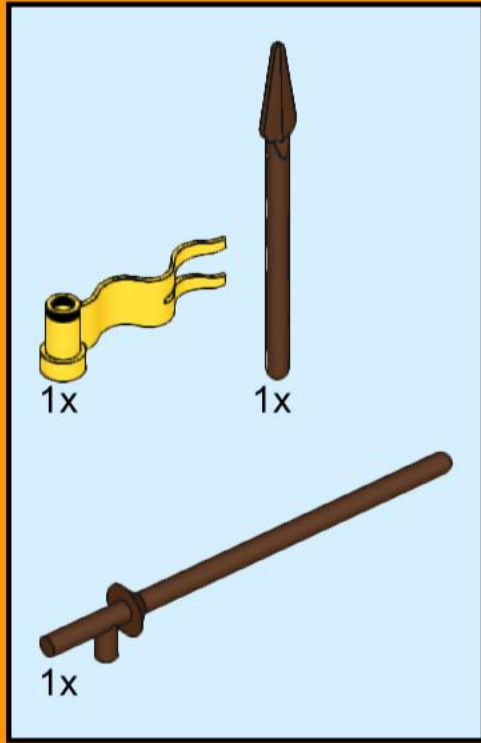


8



3x

9



4x
3024
Black

1x
251c01
Black



1x
973p42
Red



1x
4495a
Yellow

2x
4085a
Black

4x
4488
Black

1x
4597
Black



2x
983
Yellow

1x
981
Blue

2x
3023
Black

2x
3020
Black



1x
3844
Dark Gray

1x
4587
Red

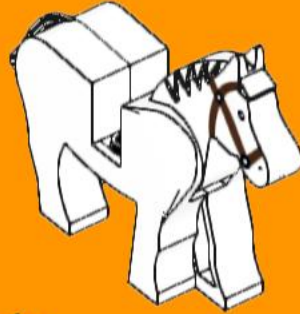


1x
3626p01
Yellow

1x
982
Blue

1x
970
Black

1x
3032
Black



1x
4493c01pb04
White



4x
4489a
Brown



6x
4032
Yellow

1x
971
Blue

6x
4032
Black

1x
3032
Black



1x
3004
Red



1x
4497
Brown



3x
3941
Yellow

1x
972
Blue

1x
3022
Black