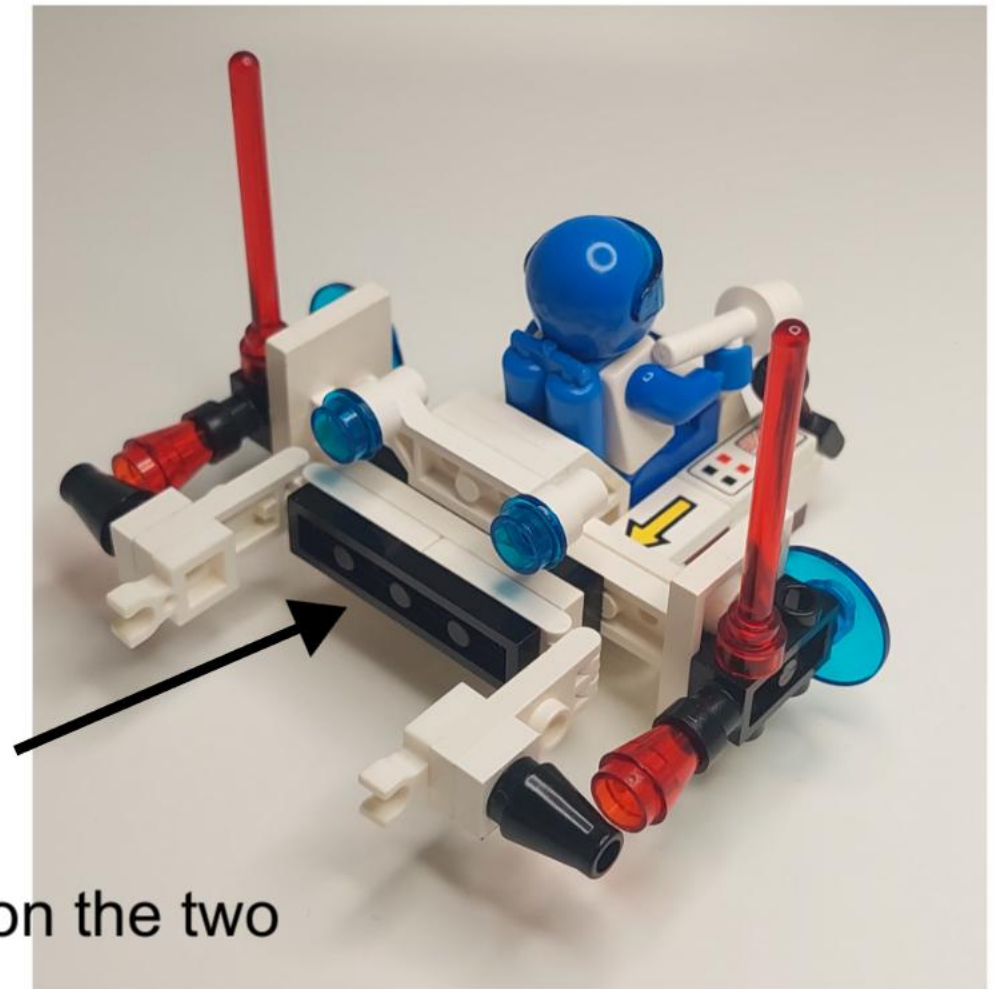
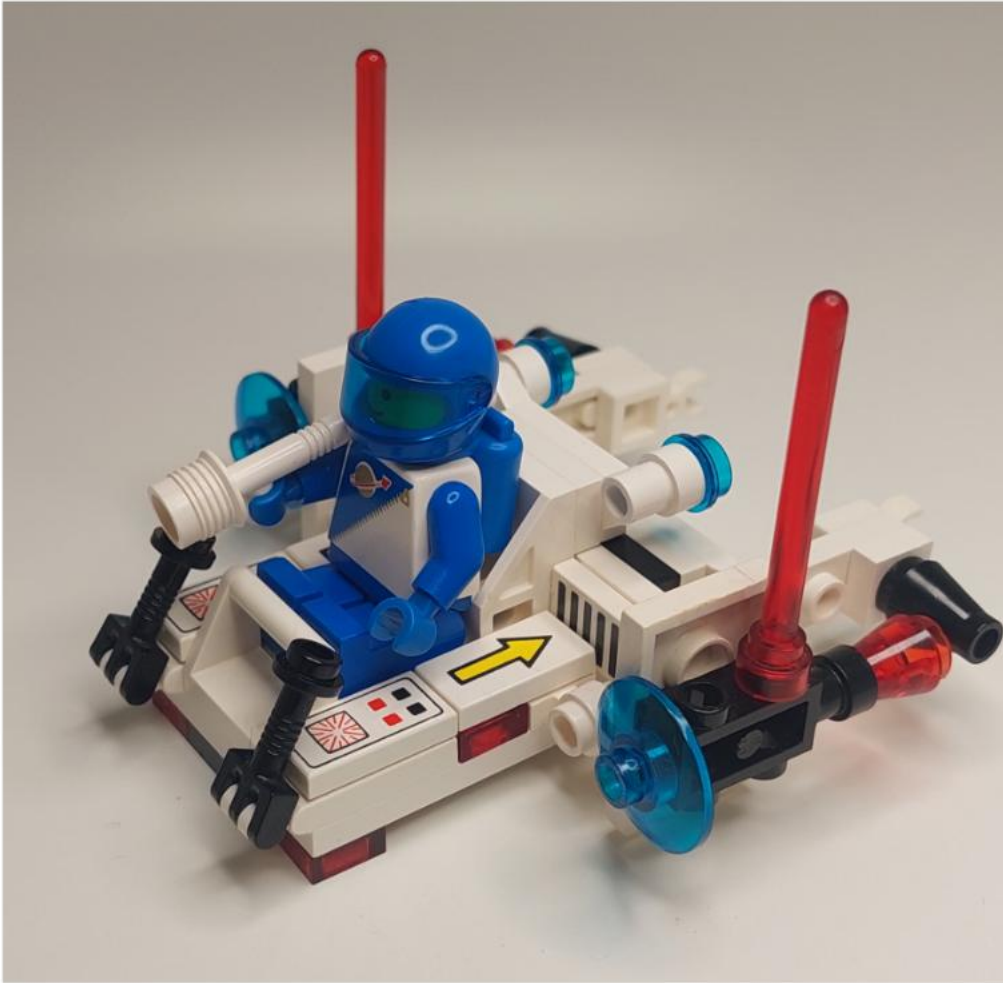
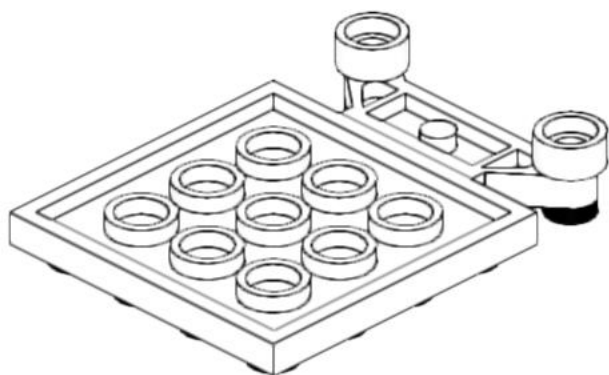
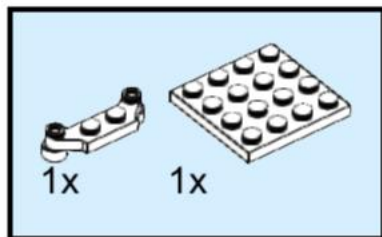


6828 - *Back C*

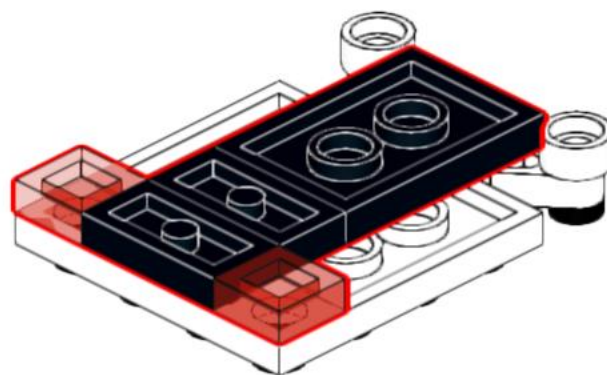
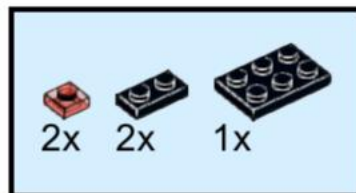


for more stability, the unused black 1x4 plate can be attached on the two hinges

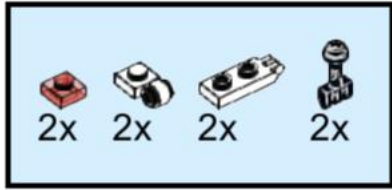
1



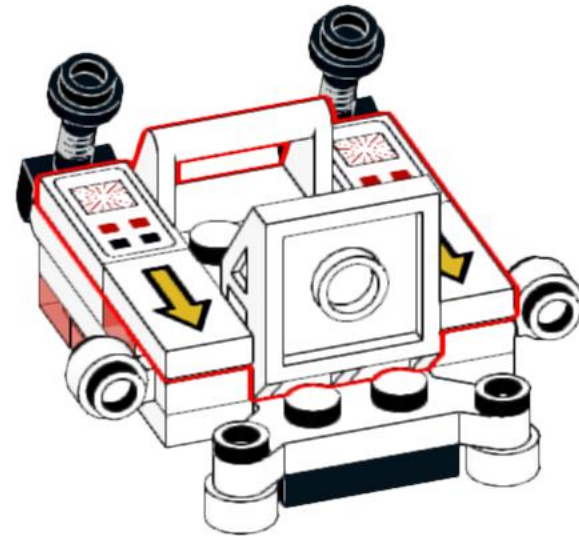
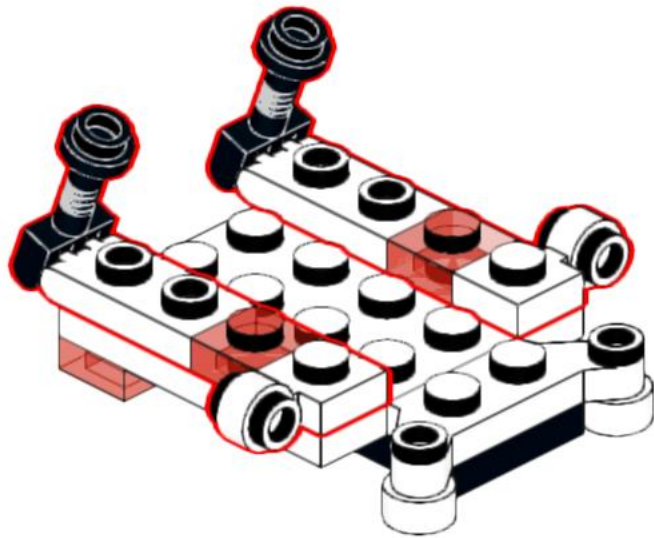
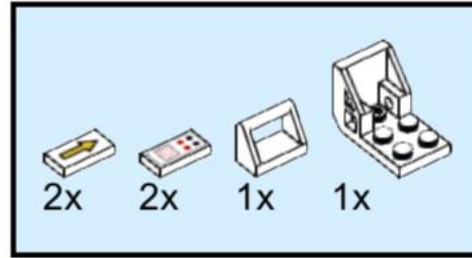
2



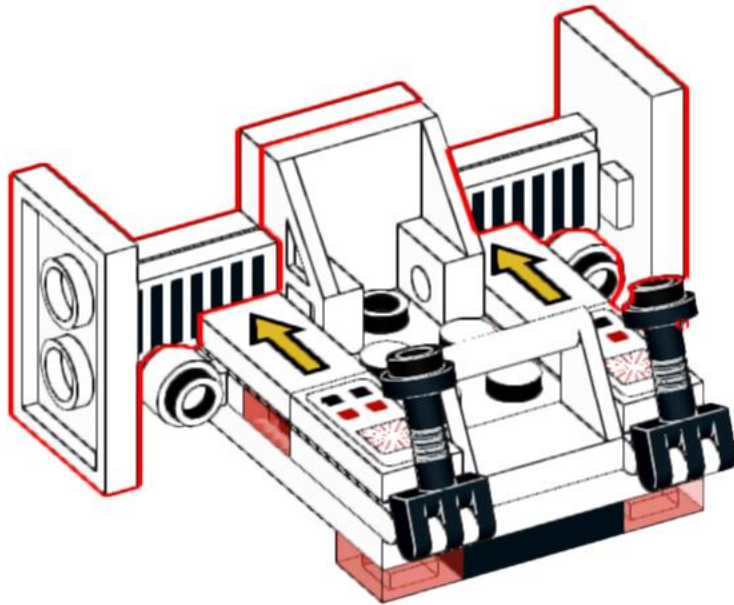
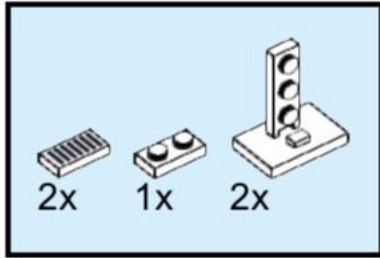
3



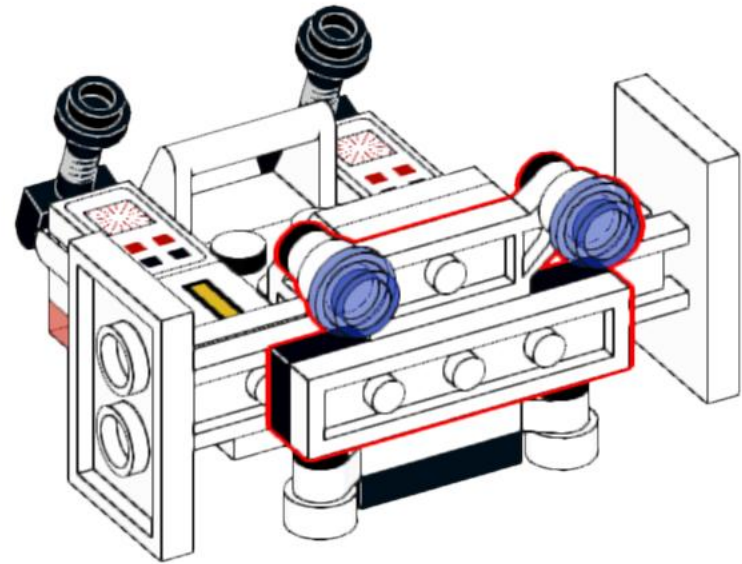
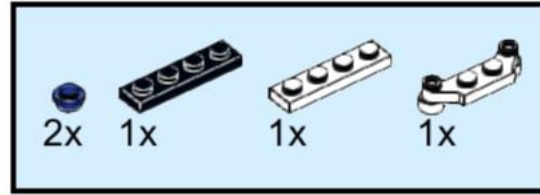
4



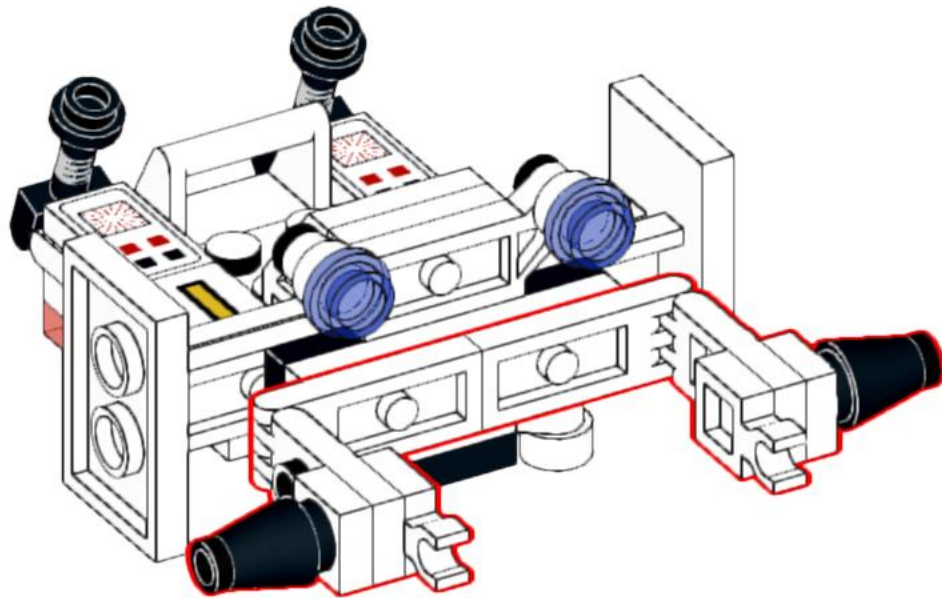
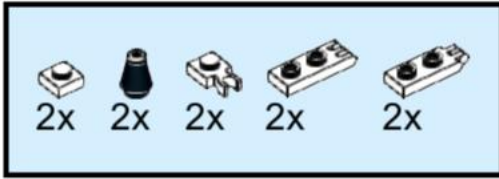
5



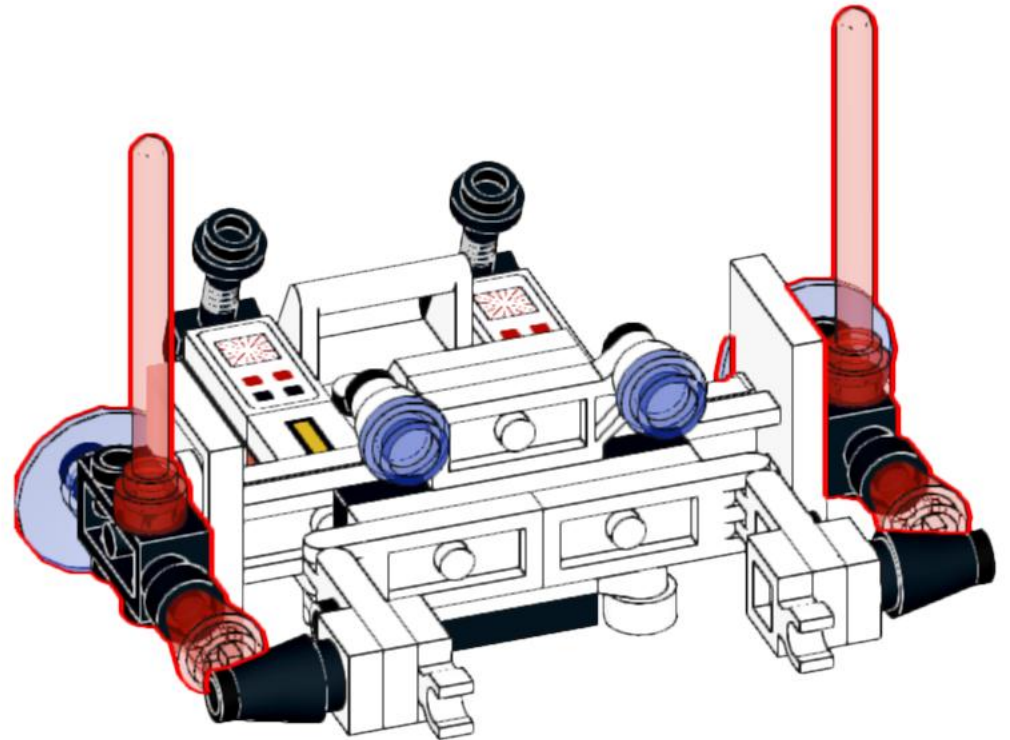
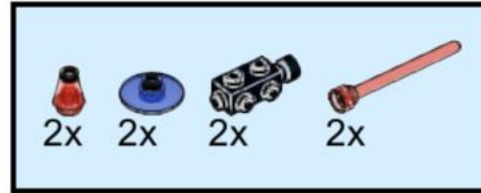
6



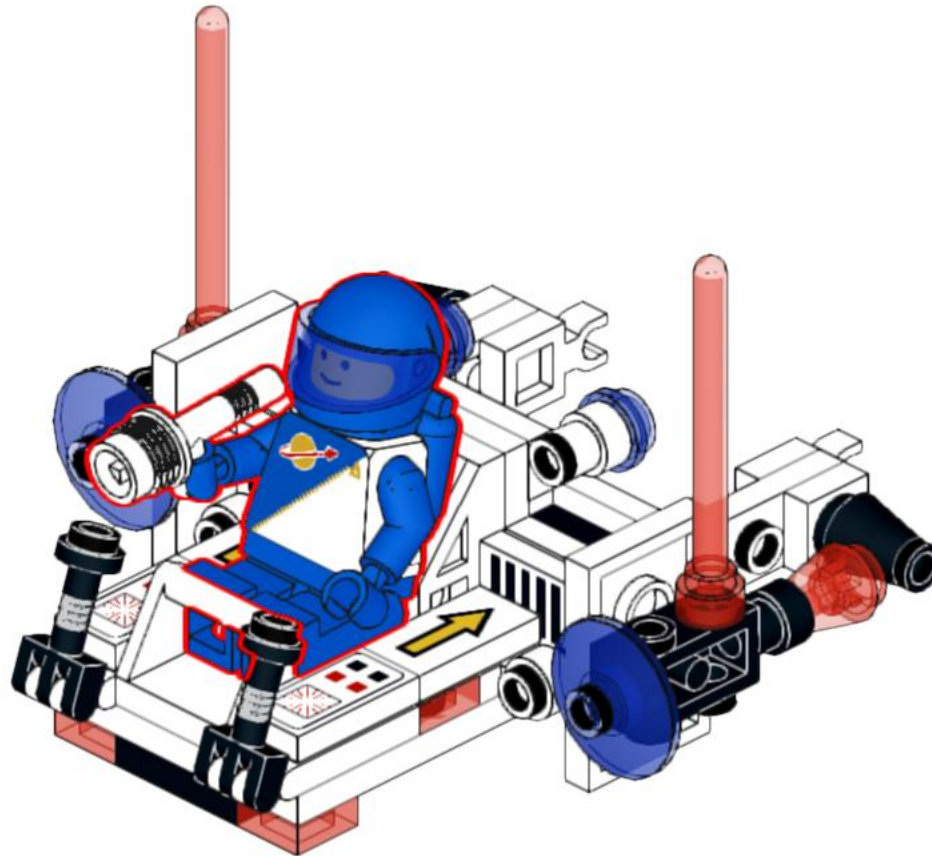
7



8



9



the backoftheboxbuild is now complete

one 1x4 plate black is unused