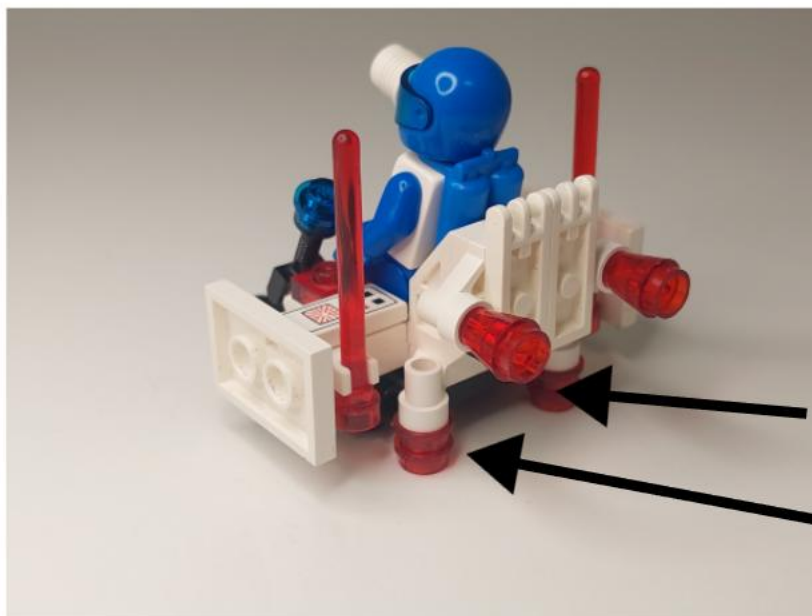
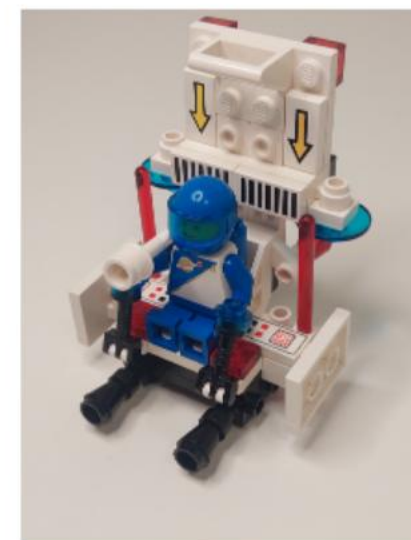
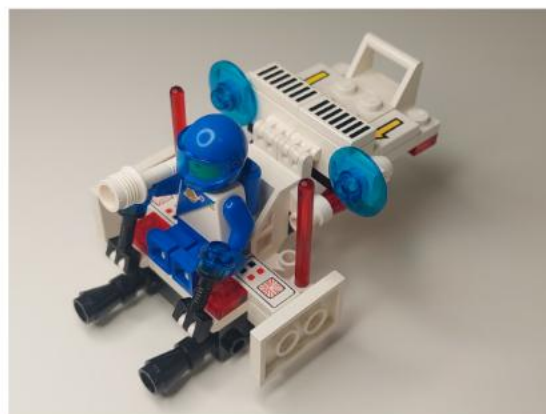


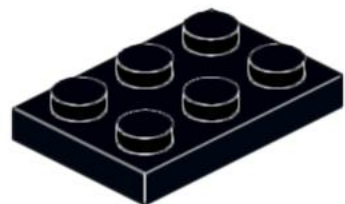
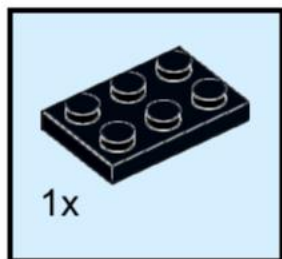
6826 - Back A



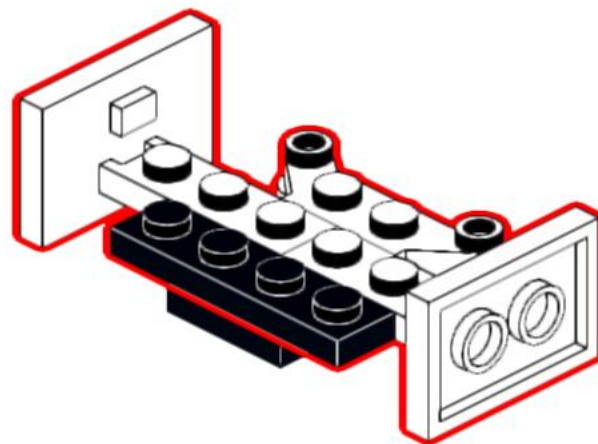
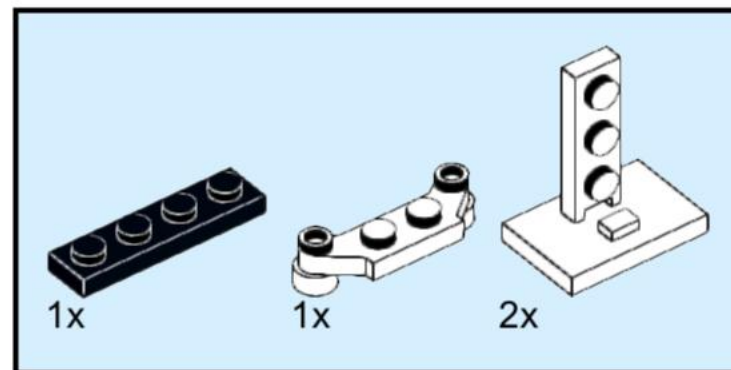
*the model
does not
stand without
support, 4
round plates
trans red not
included*



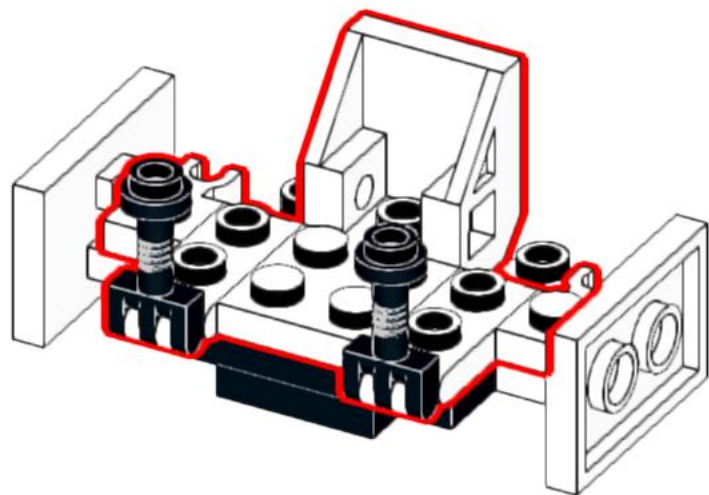
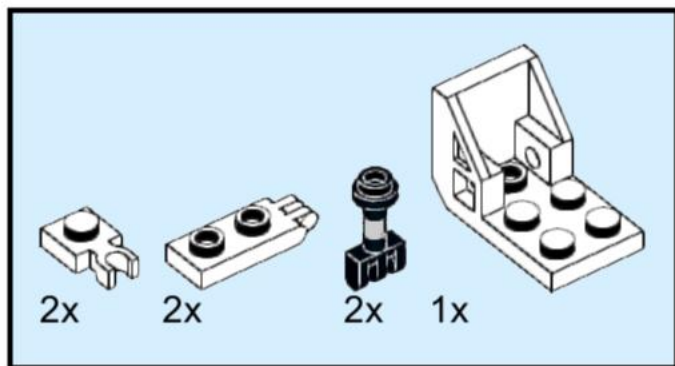
1



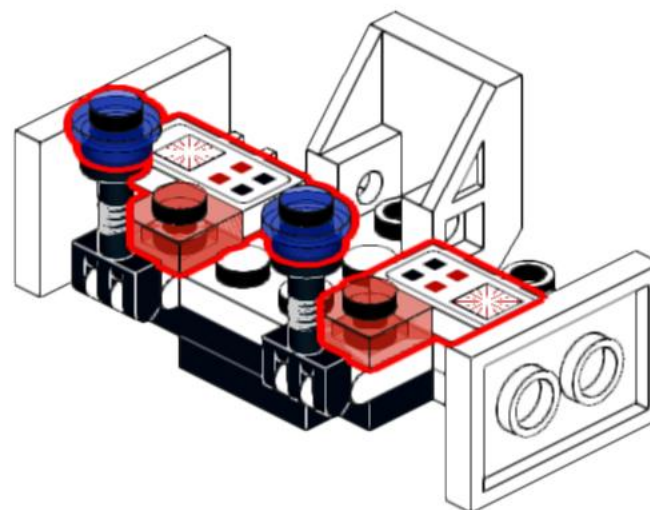
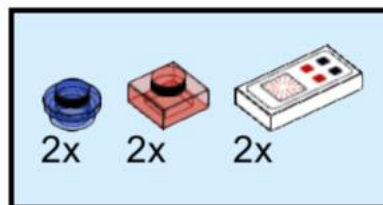
2



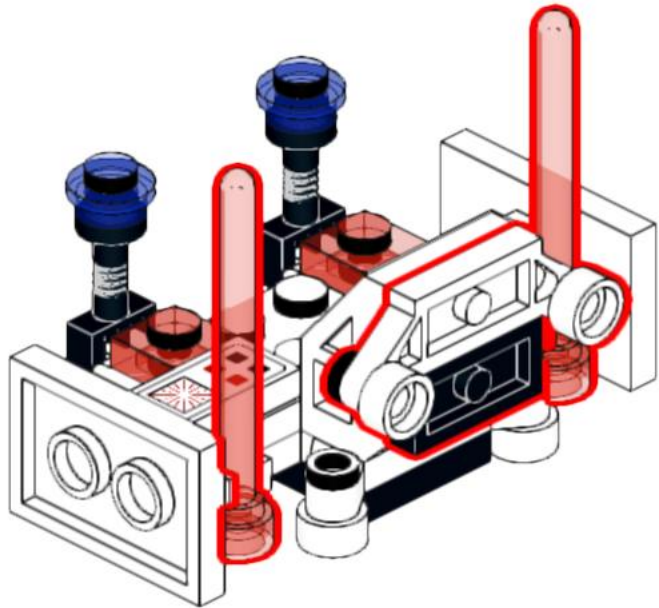
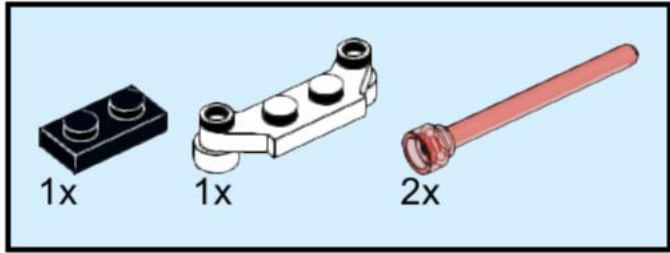
3



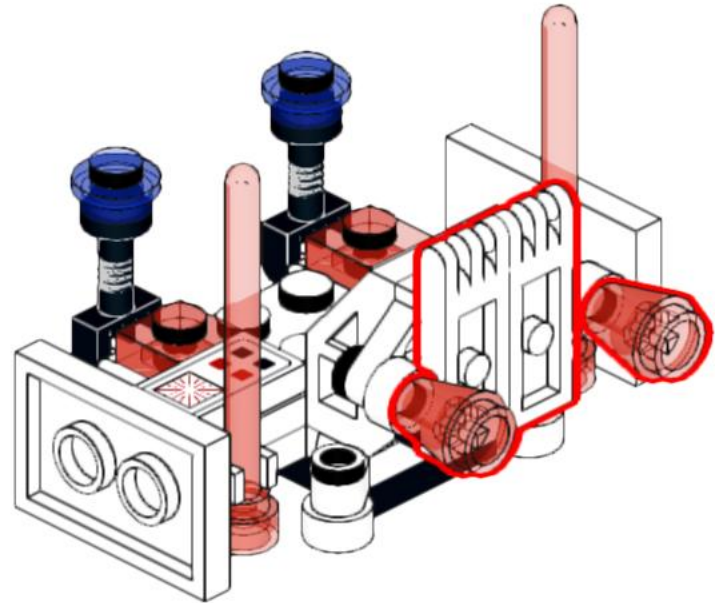
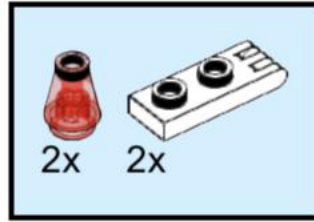
4



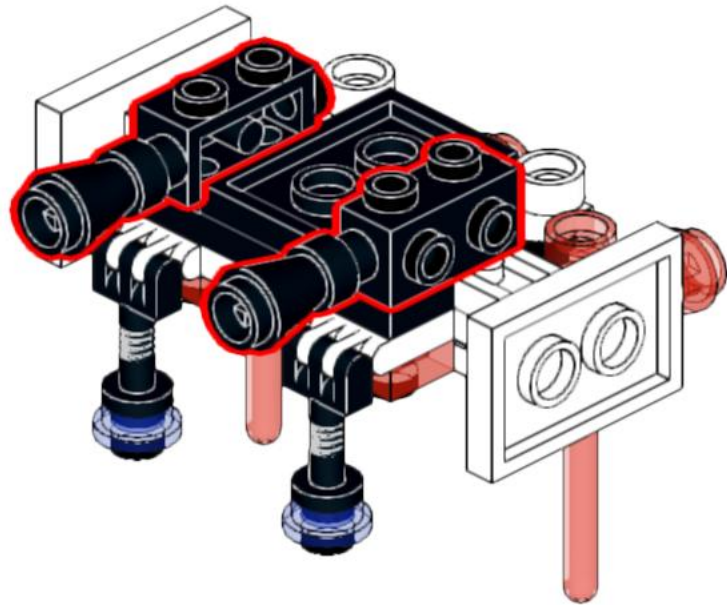
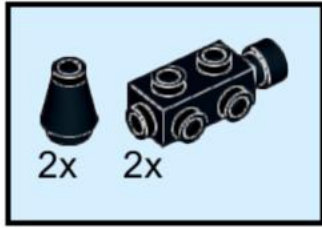
5



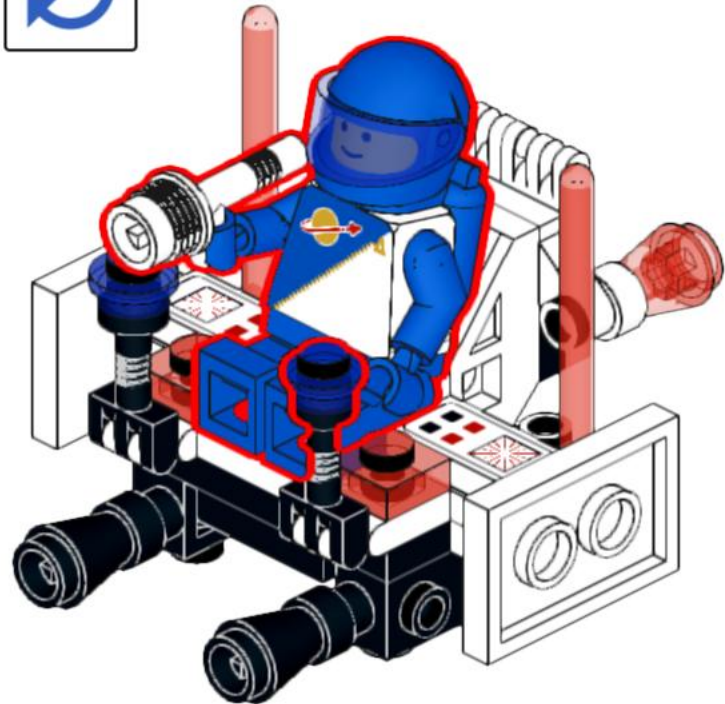
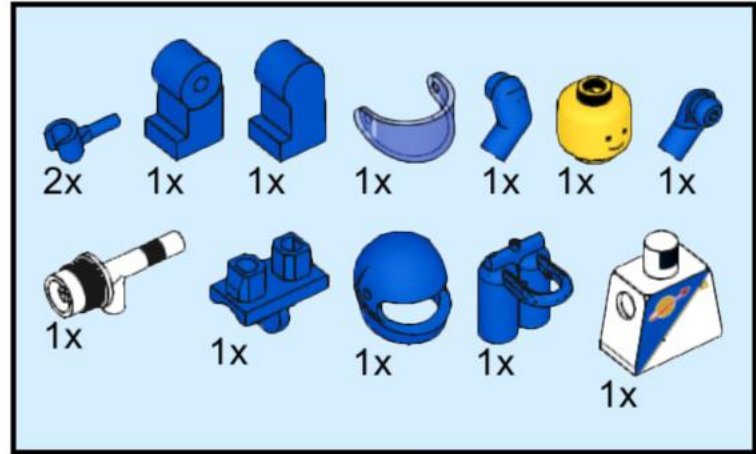
6



7



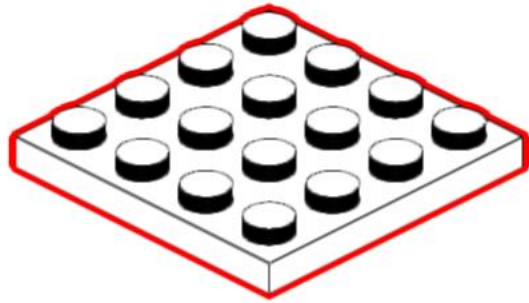
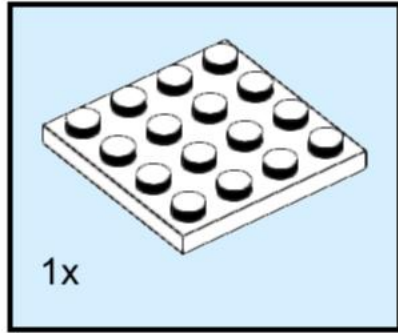
8



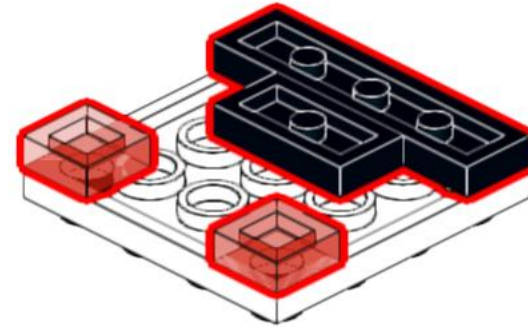
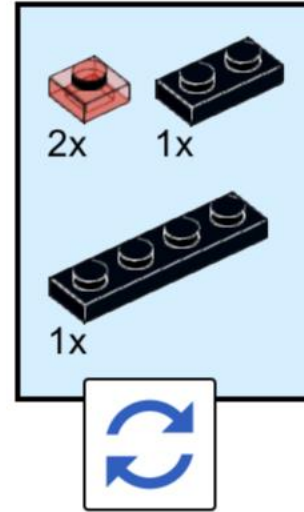
the backoftheboxbuild is now complete

*there are some unused parts
with this I created a small sidebuild
(land speeder)
this can be attached to the vehicle*

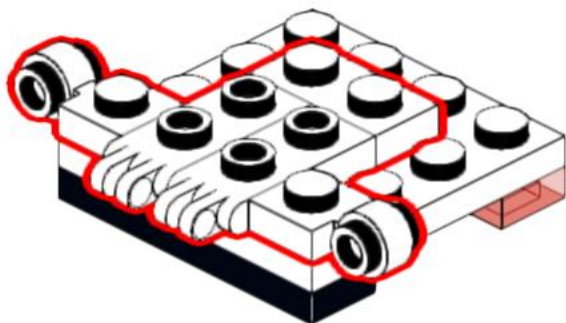
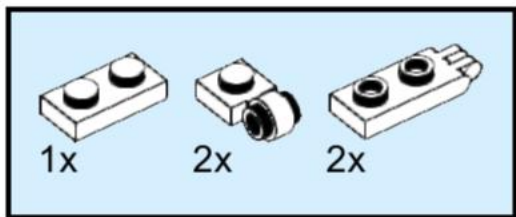
9



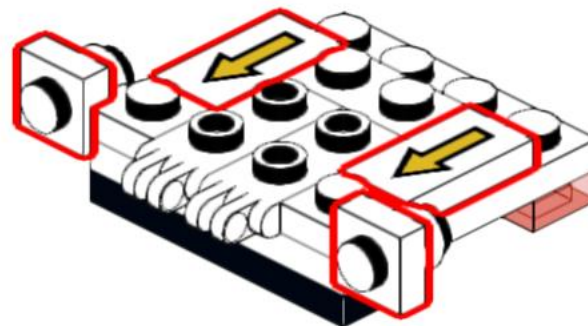
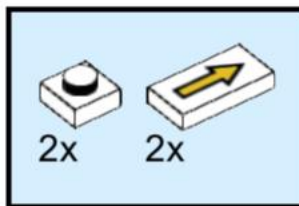
10



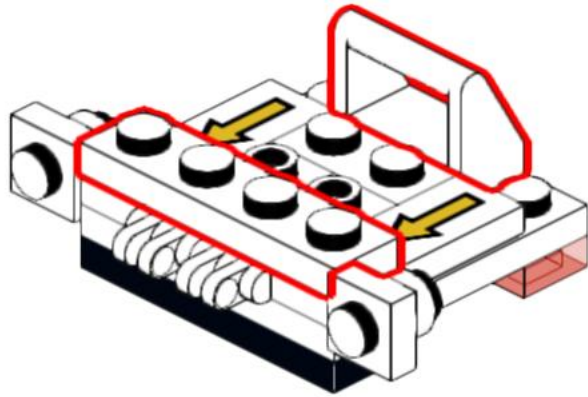
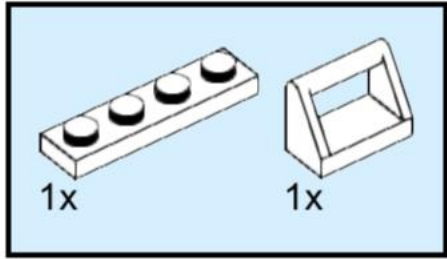
11



12



13



14

