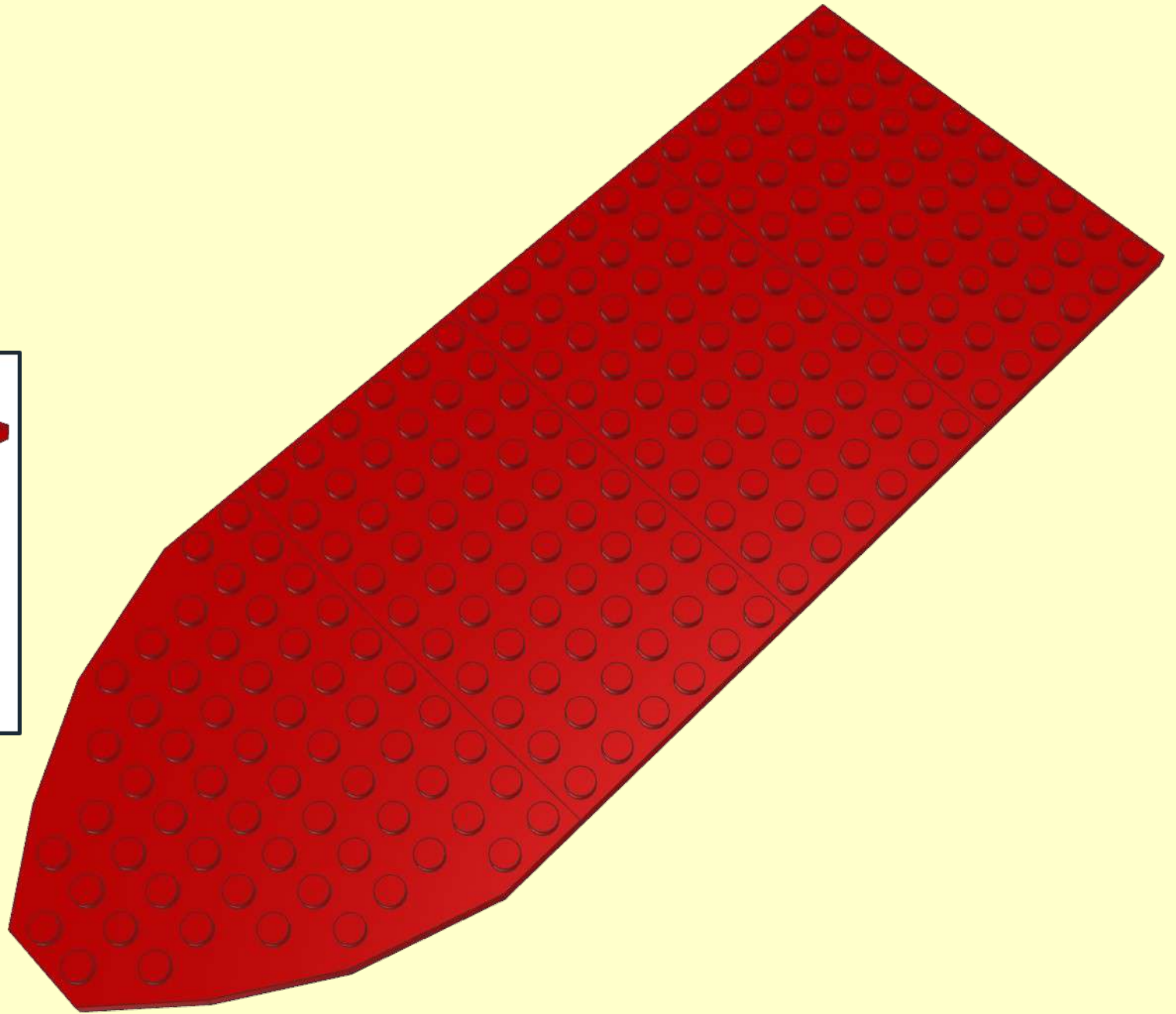
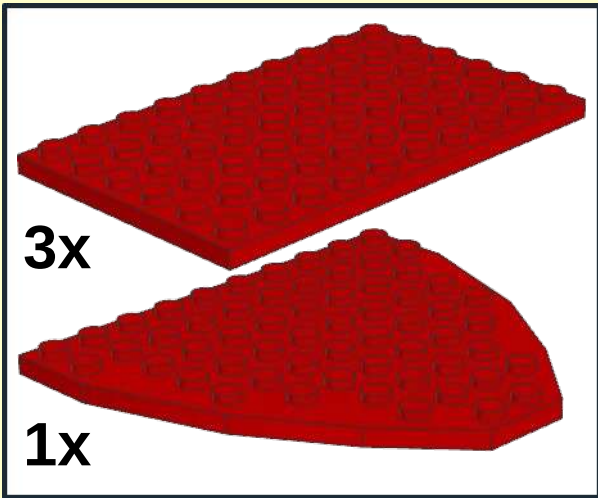
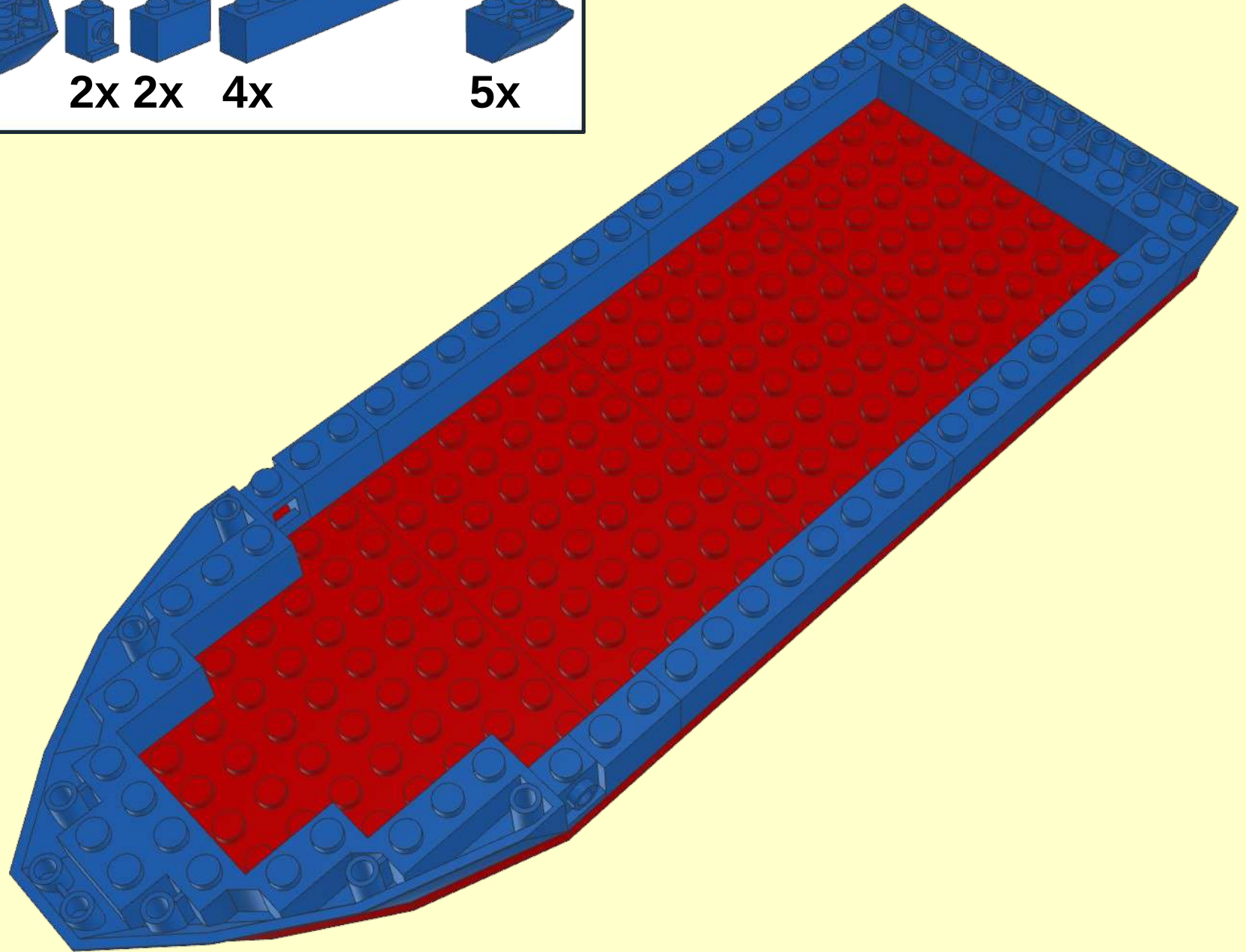
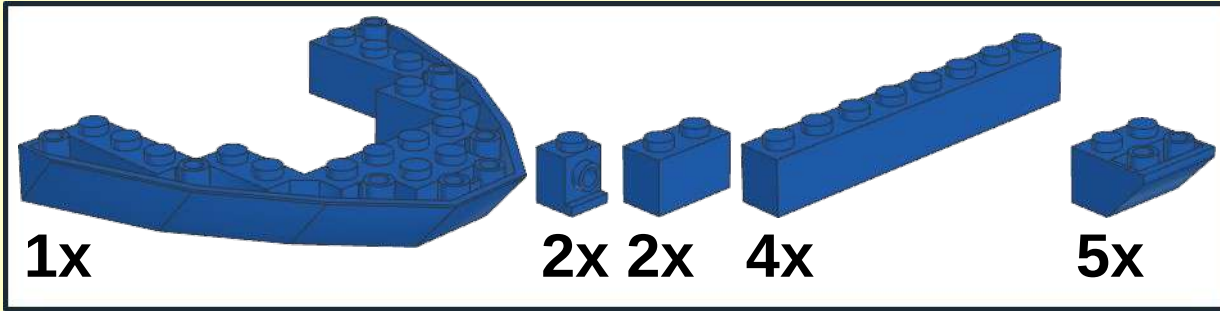




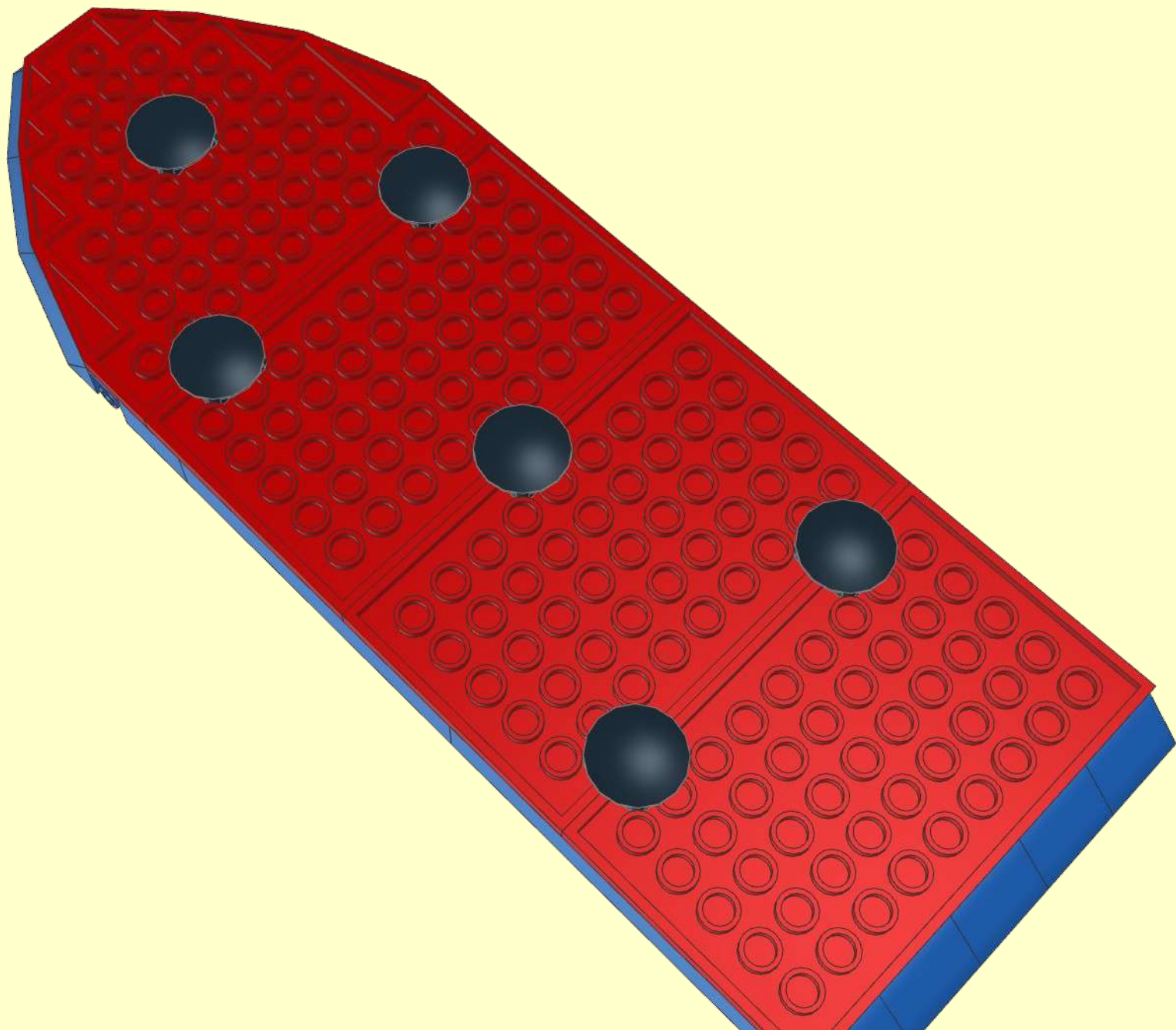
1



2

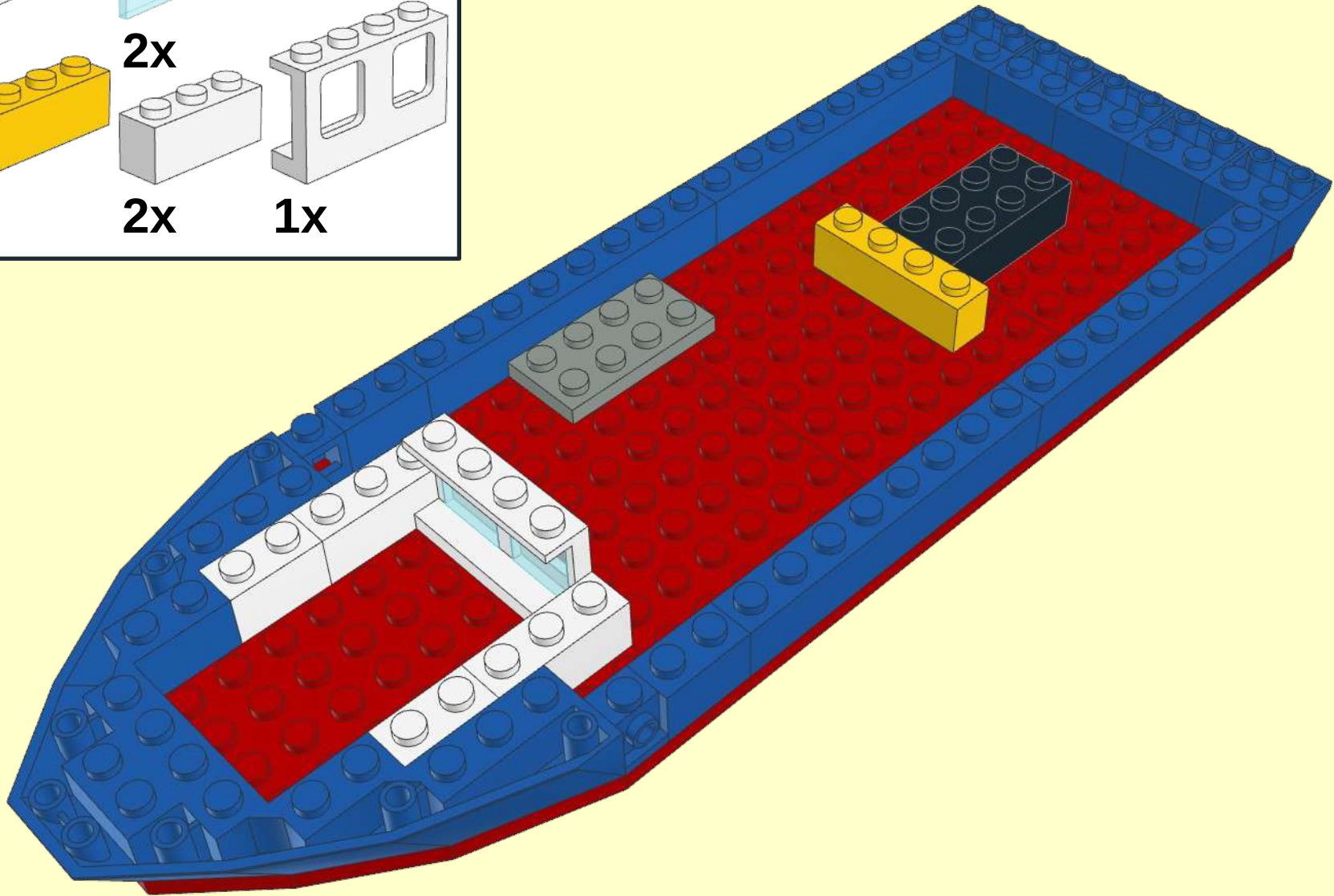
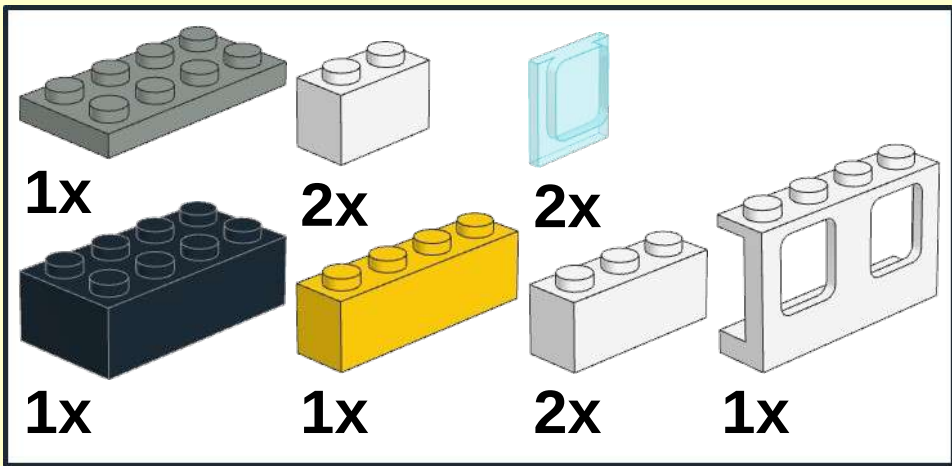


3

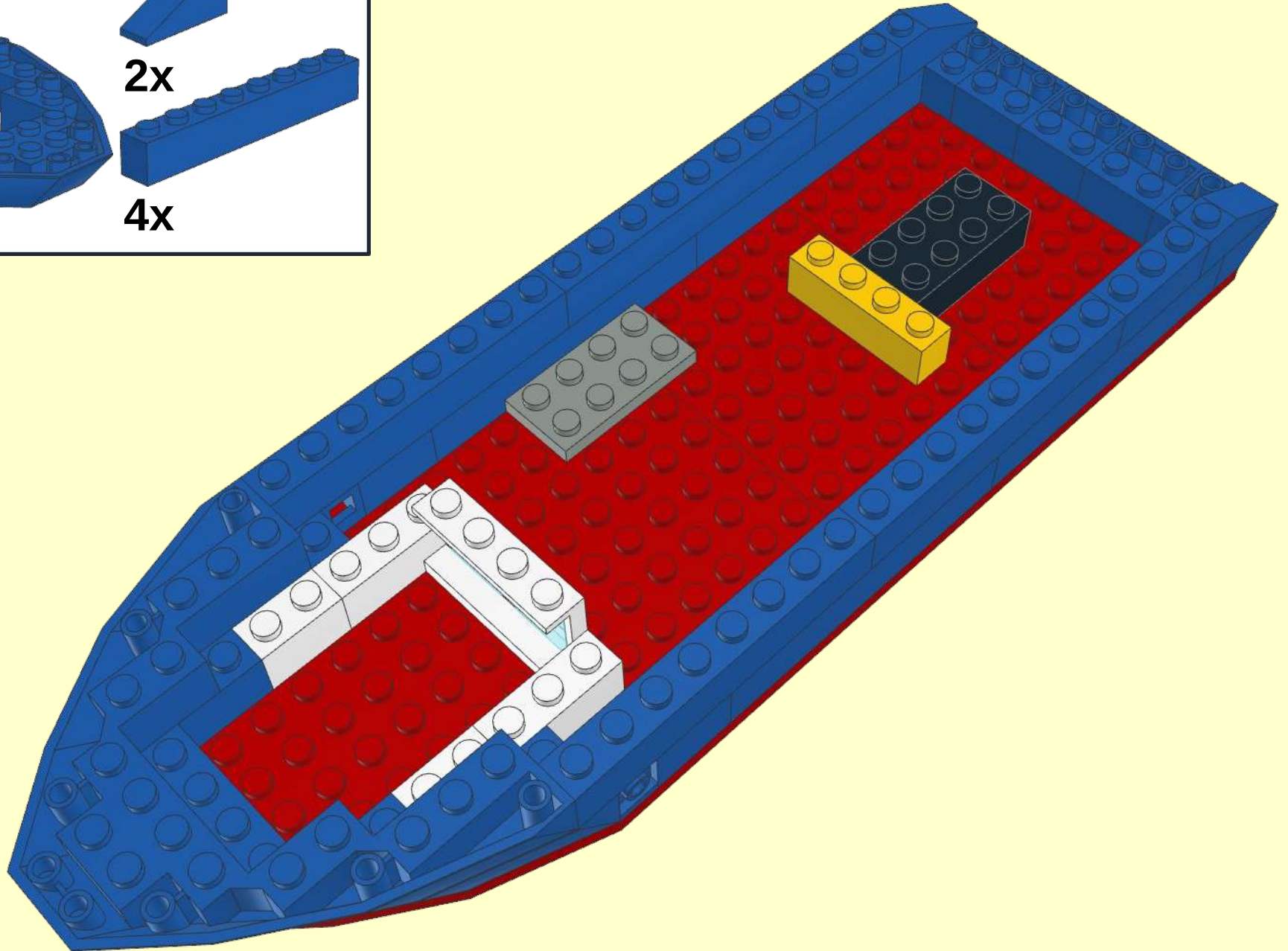
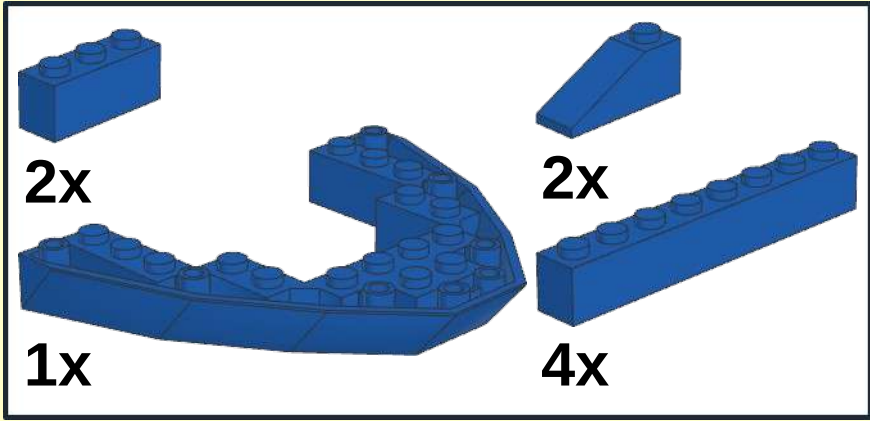




4

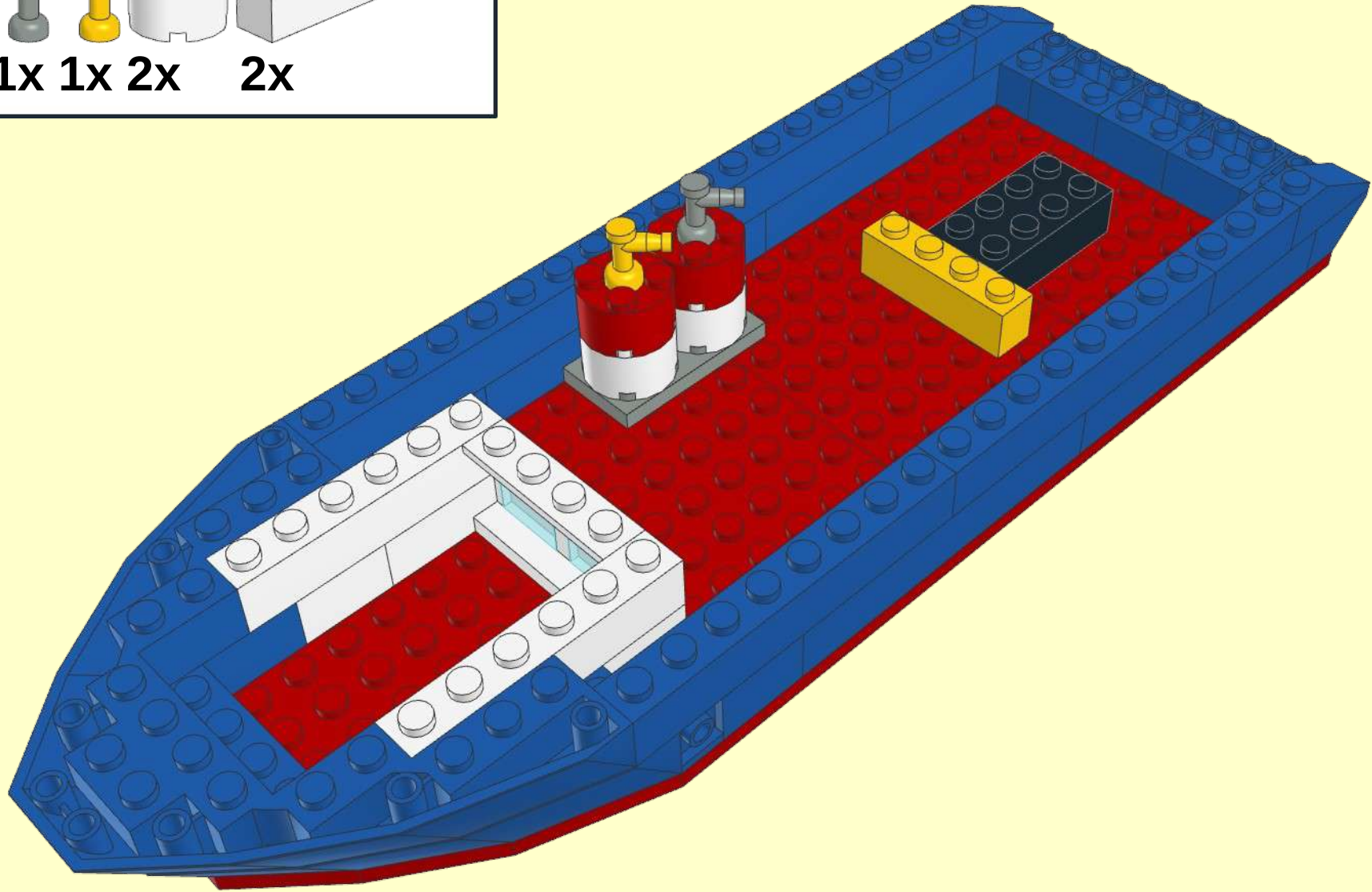
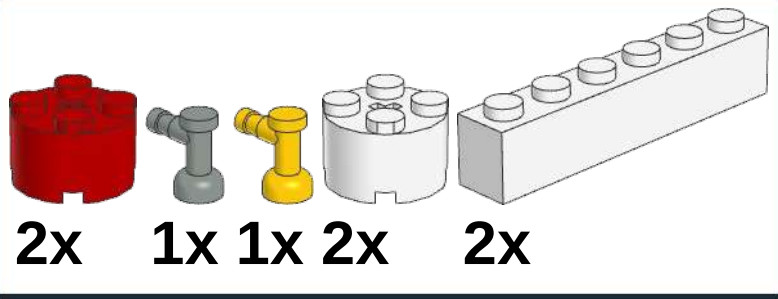


5

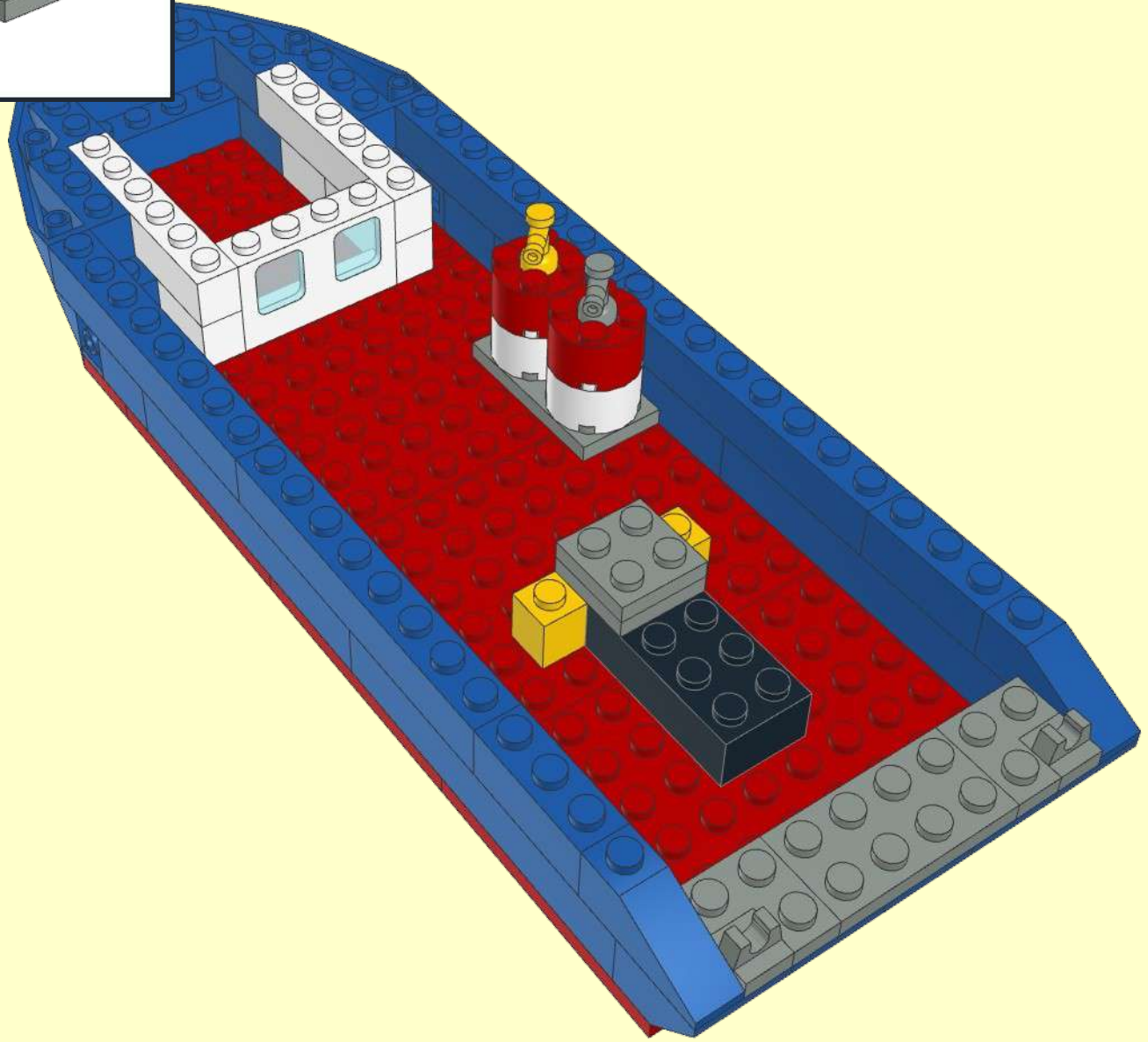
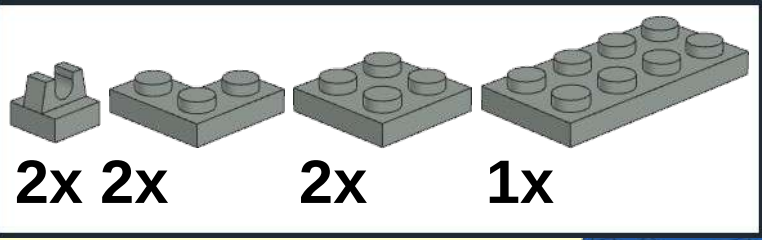




6

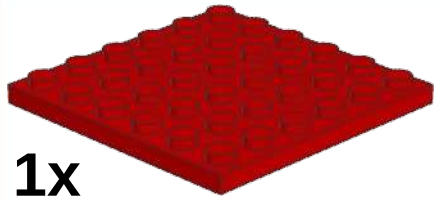


7





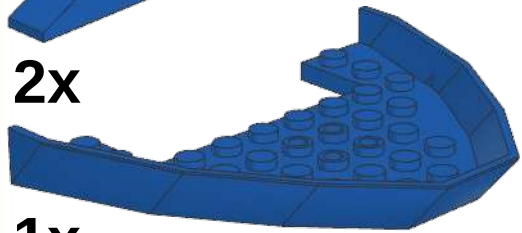
8



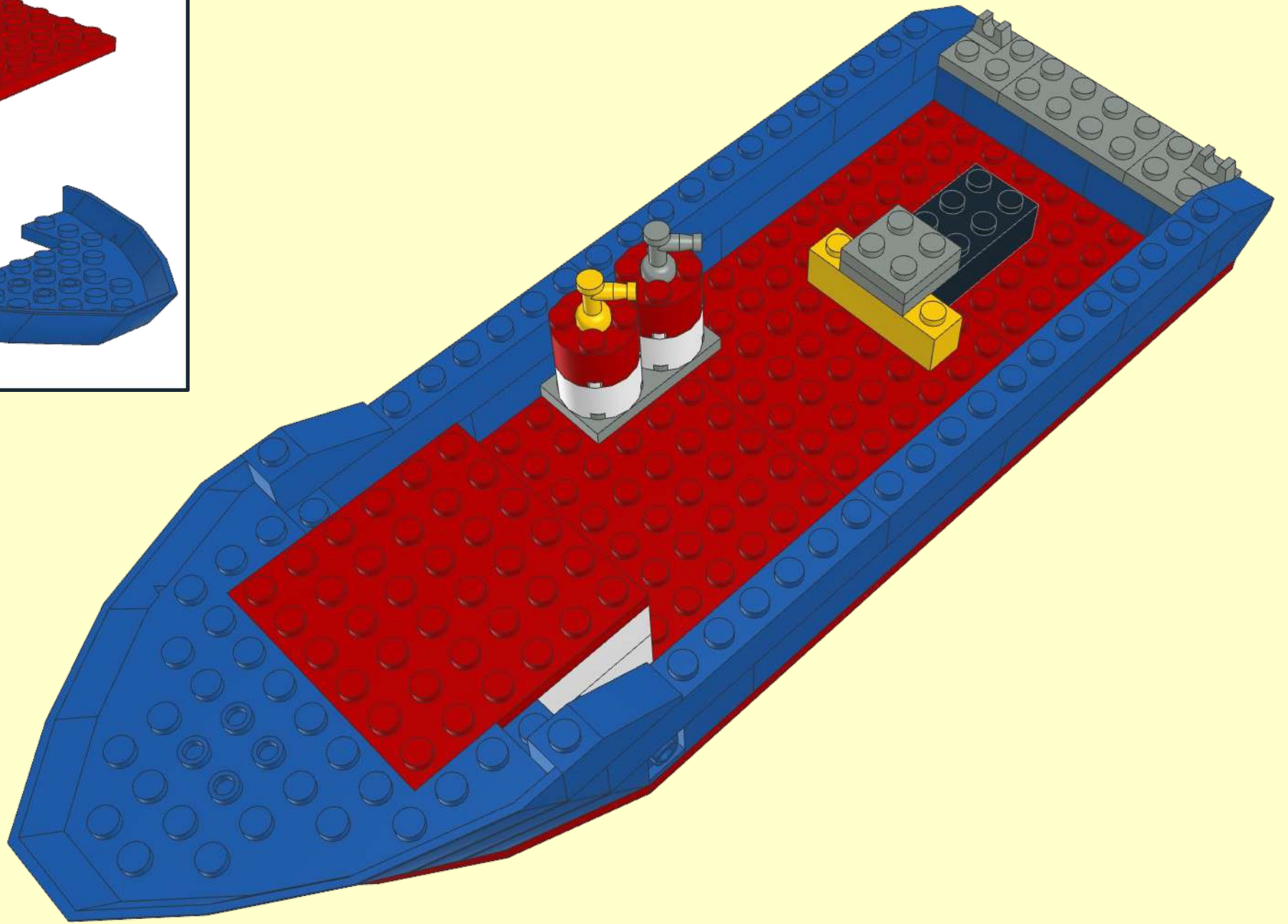
1x



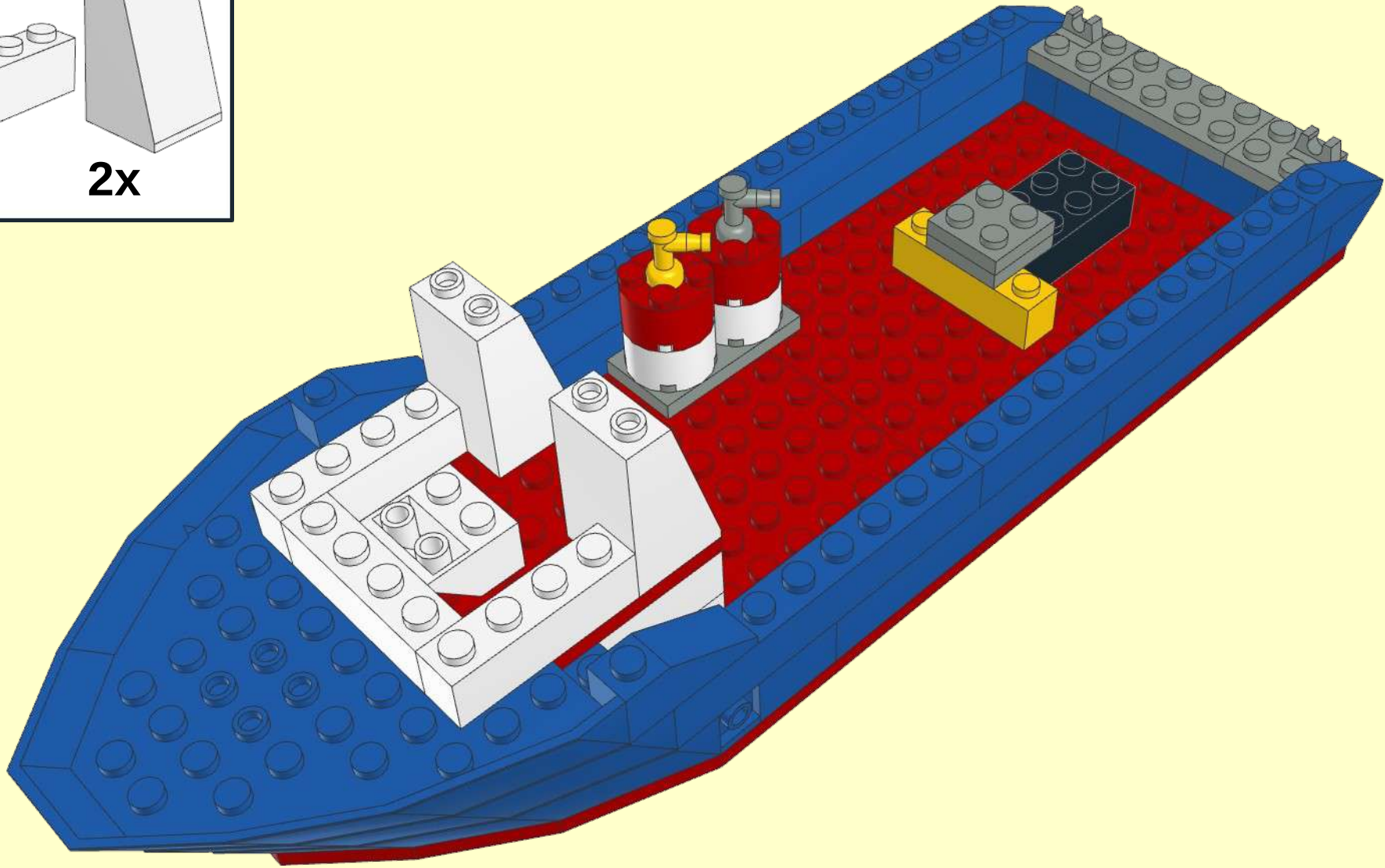
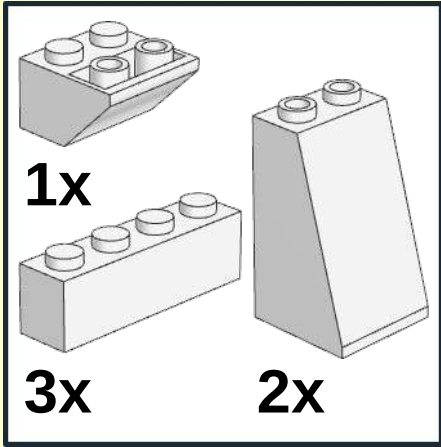
2x



1x



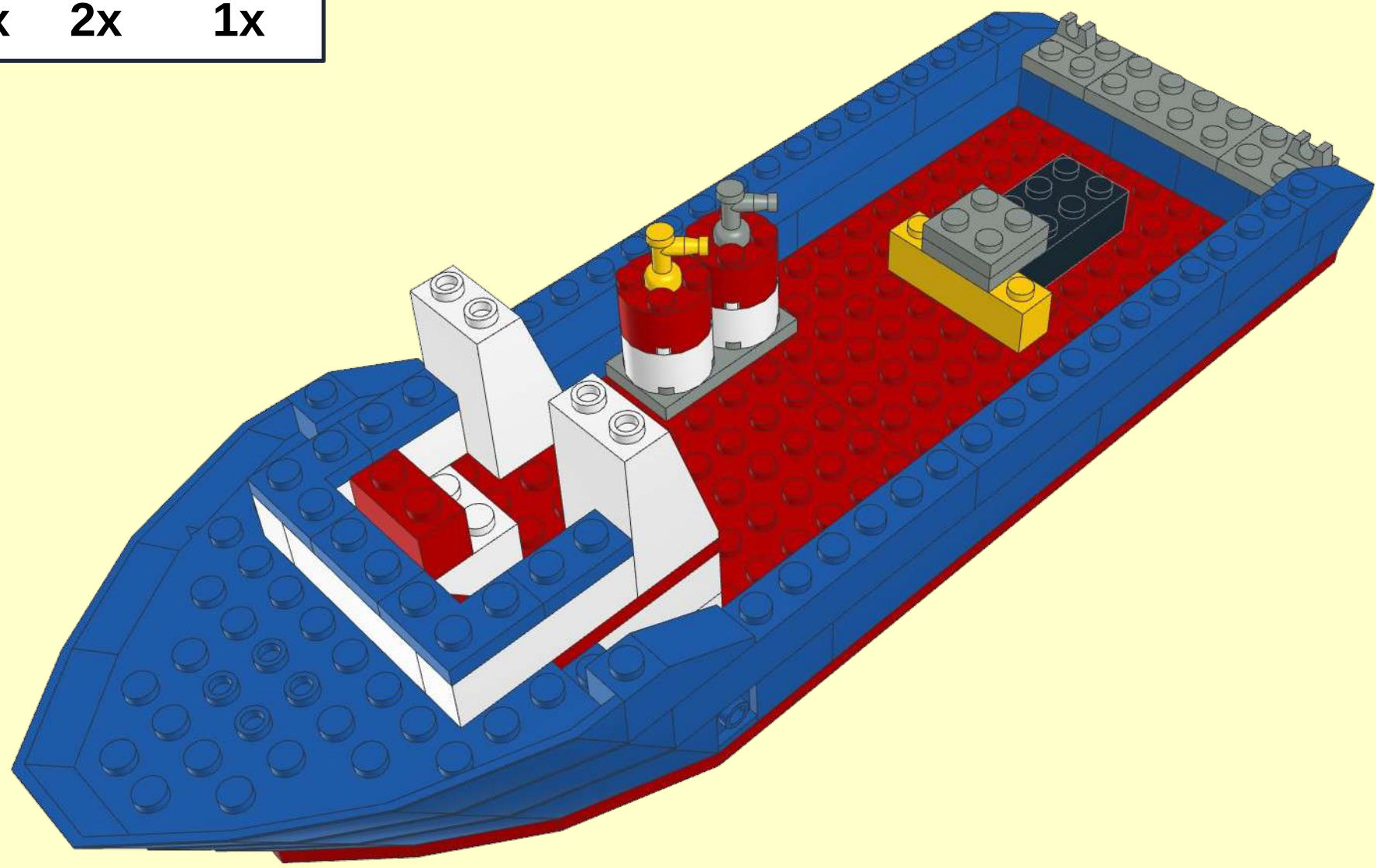
9



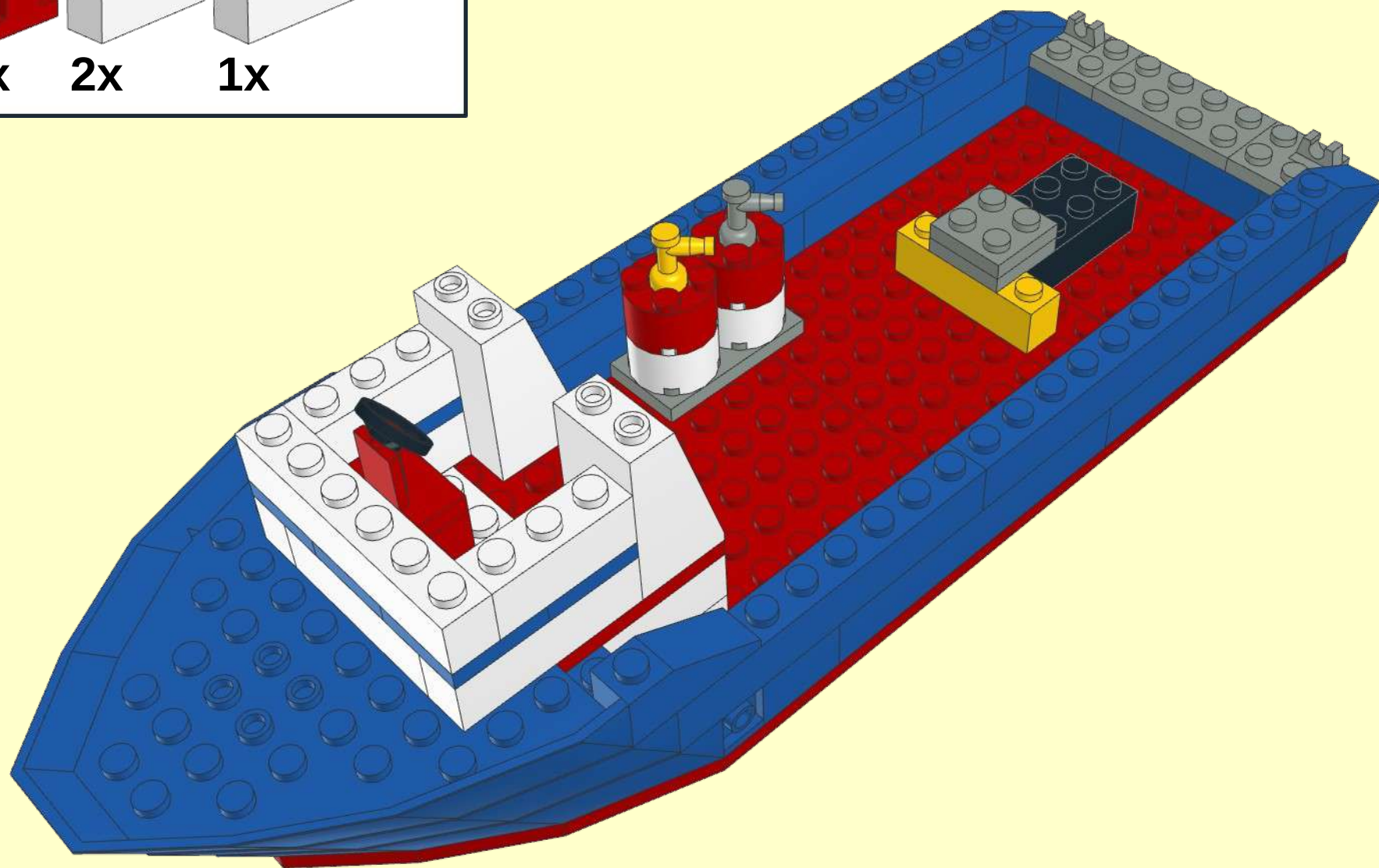
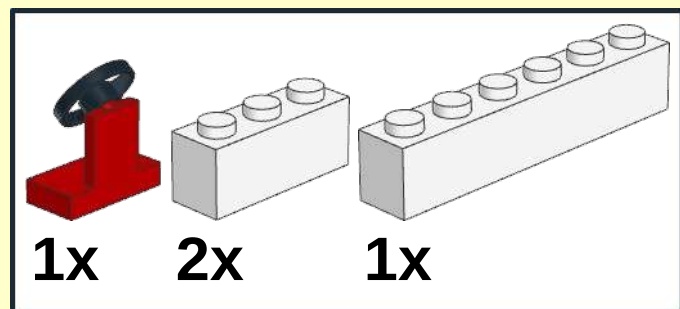


10

3x	2x	1x

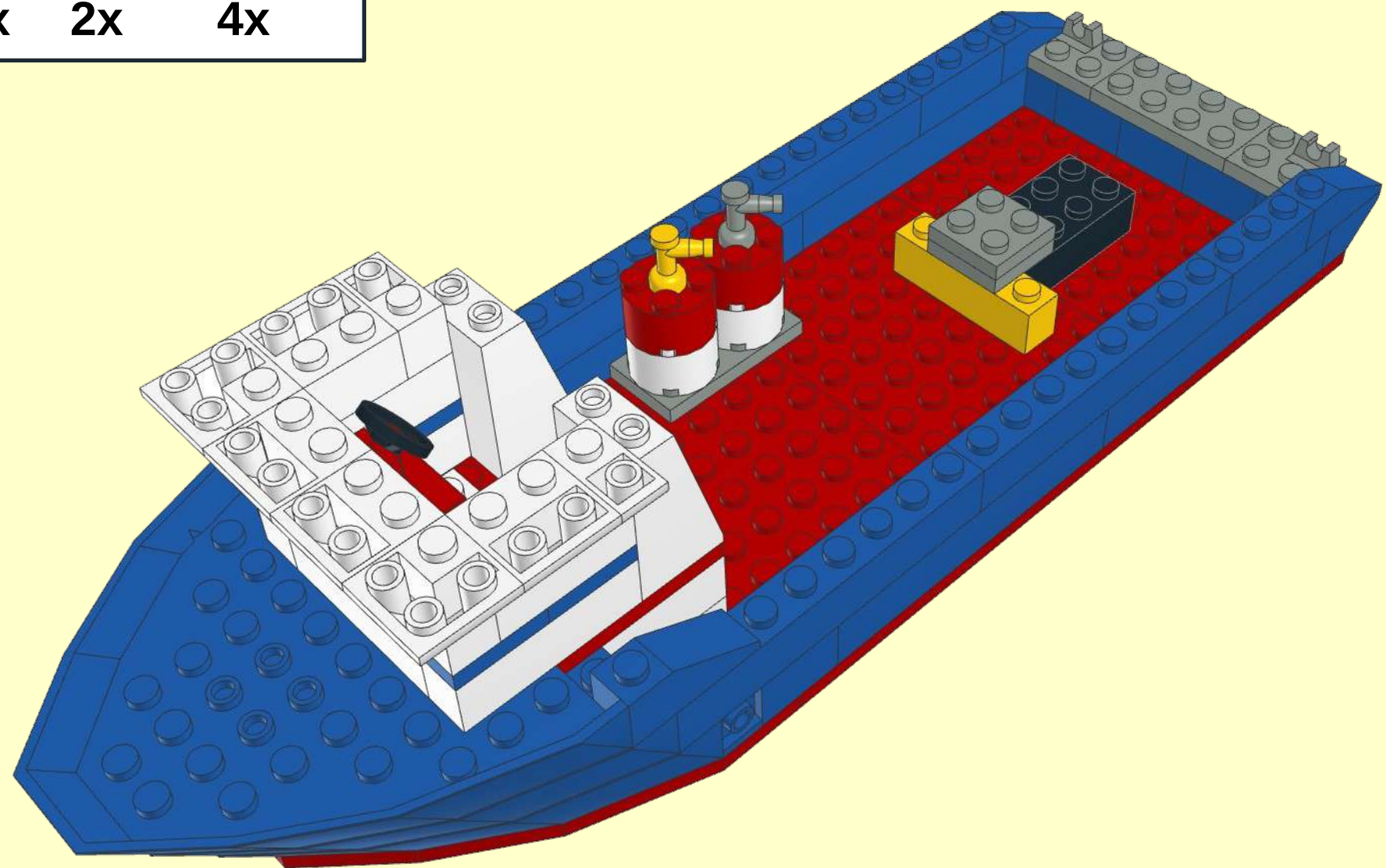
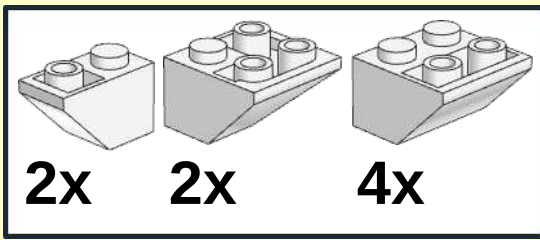


11


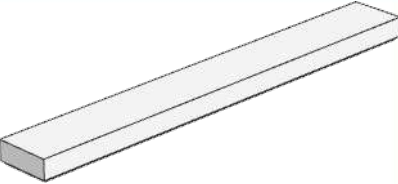

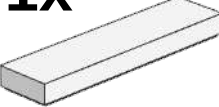


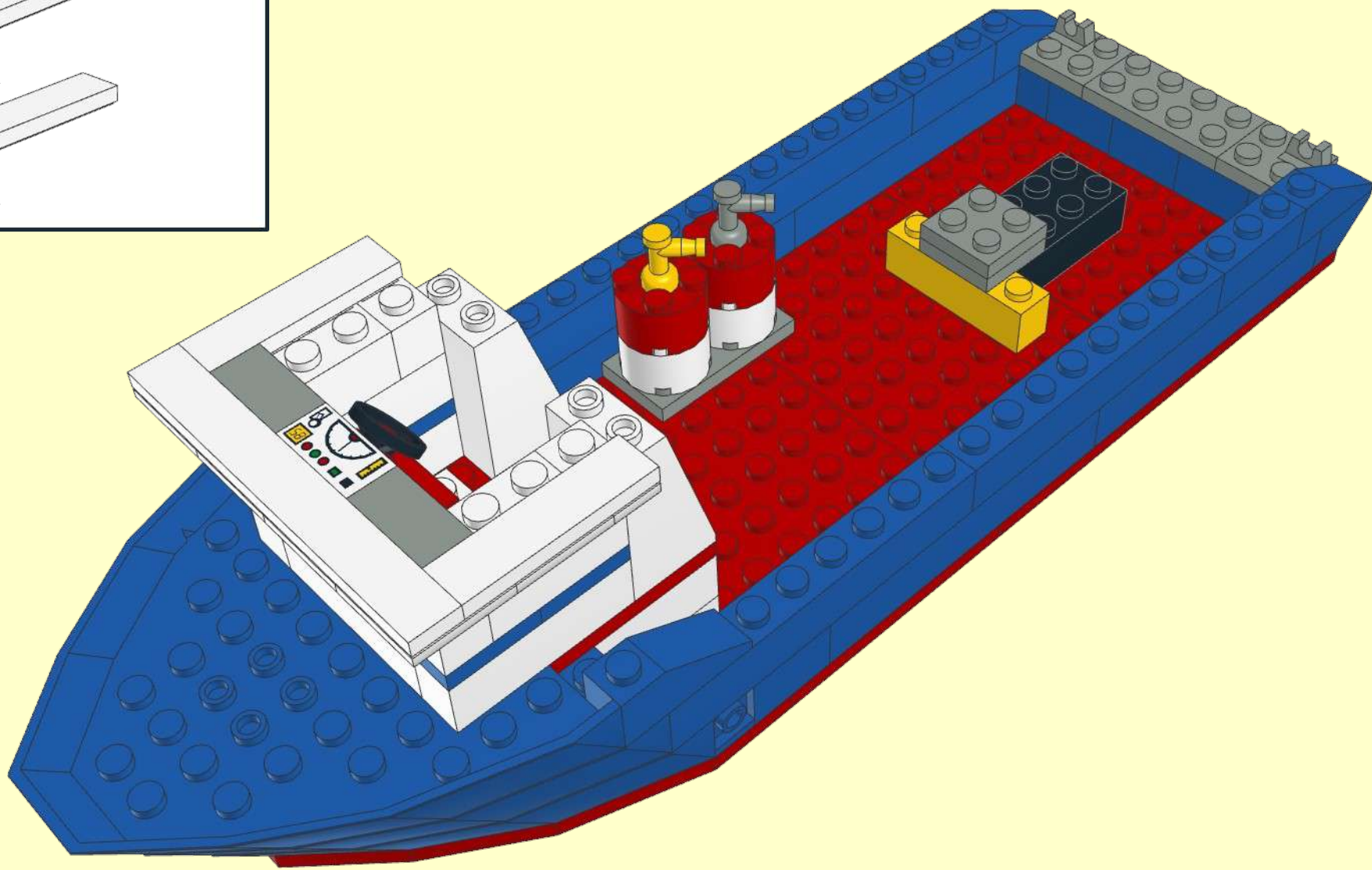


12



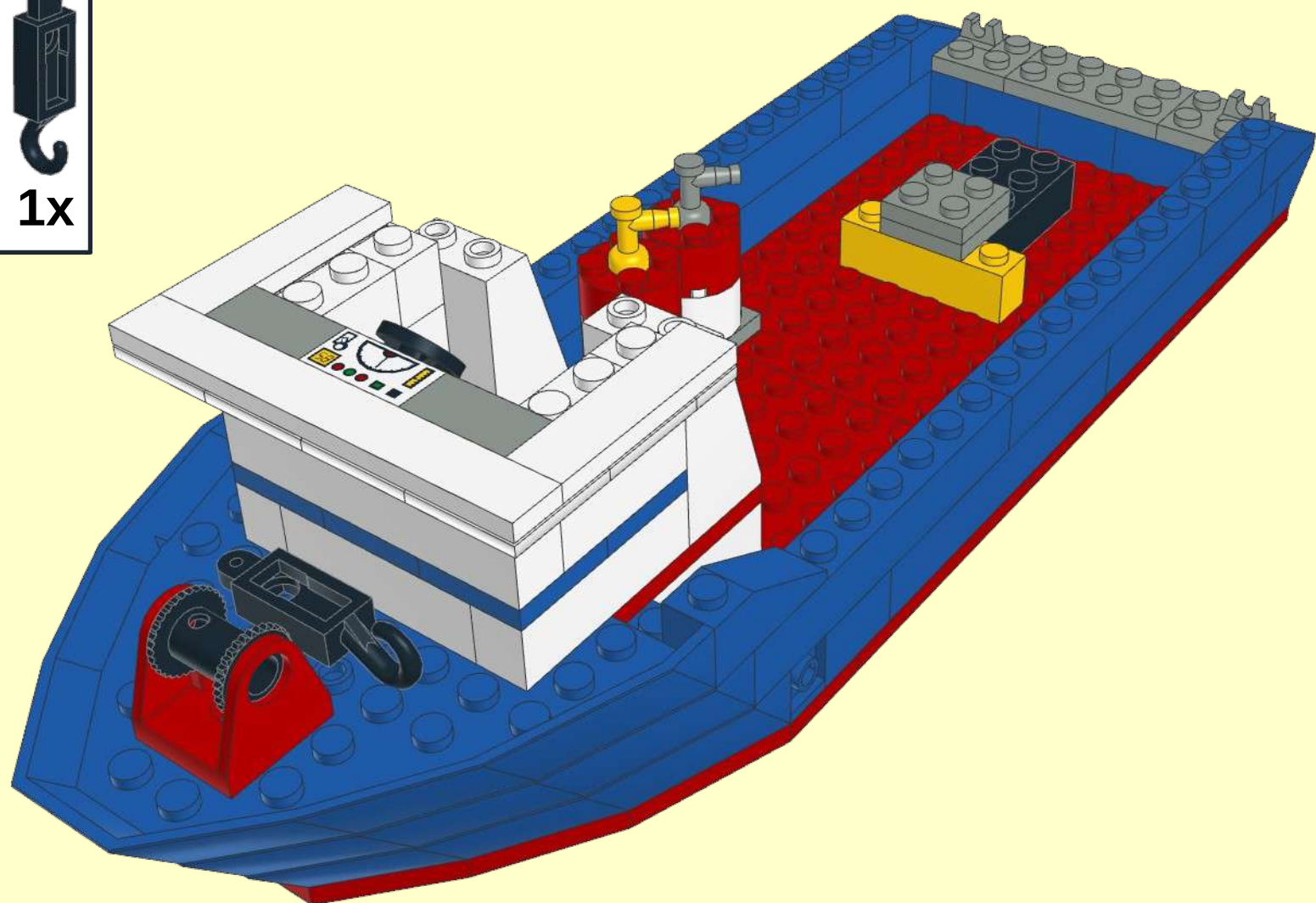
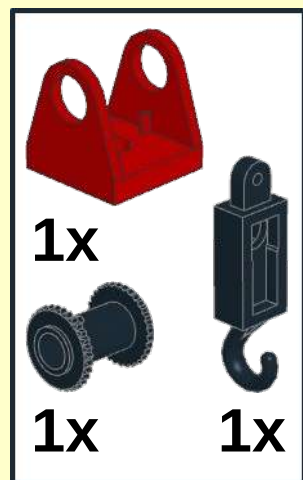
# 13

	
<b>1x</b>	<b>1x</b>
	
<b>2x</b>	<b>2x</b>





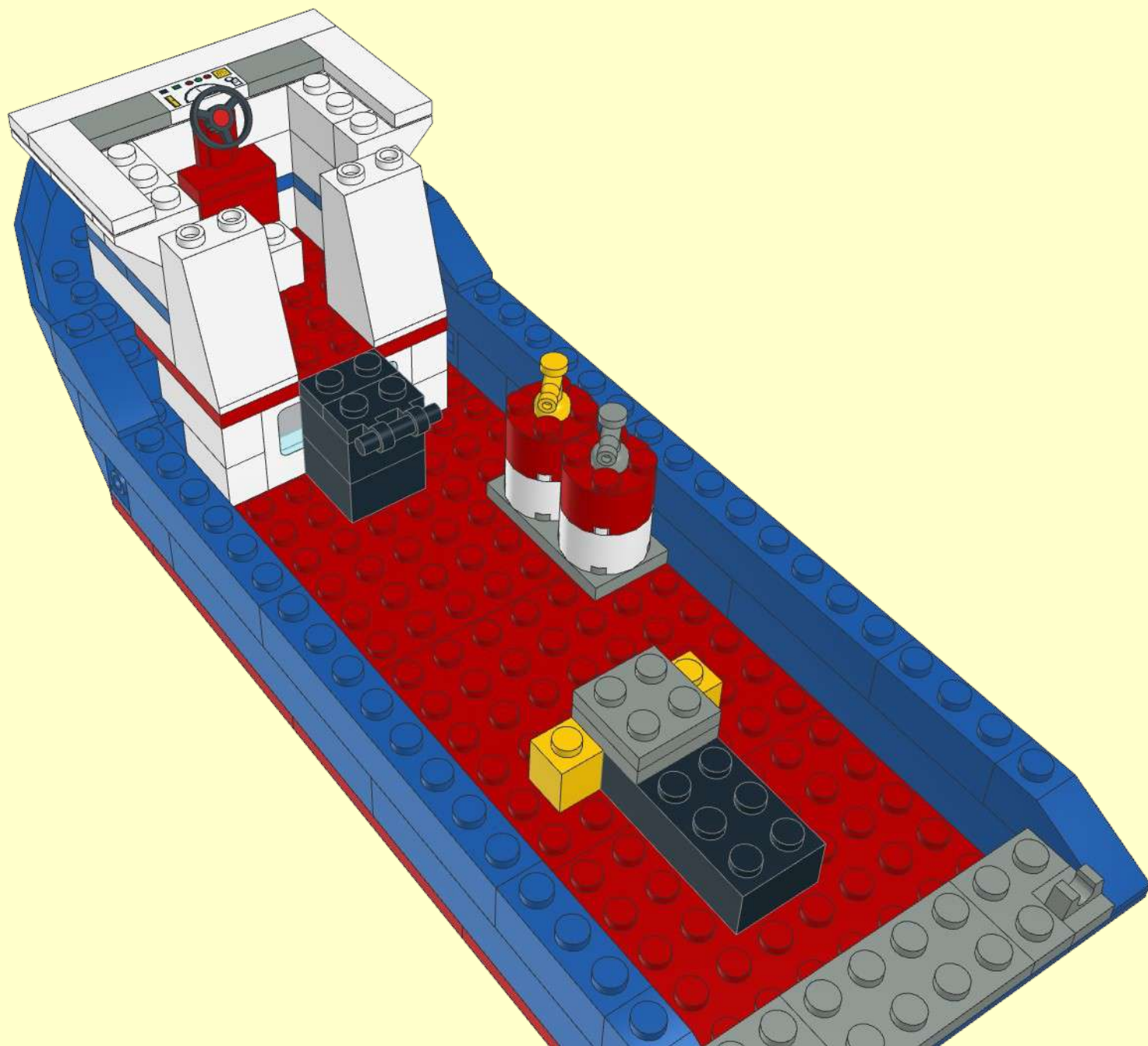
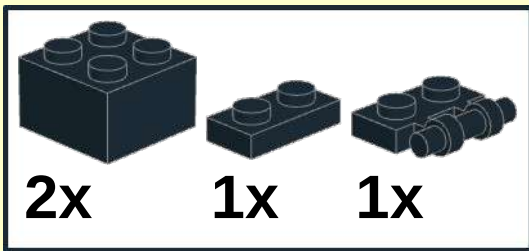
14



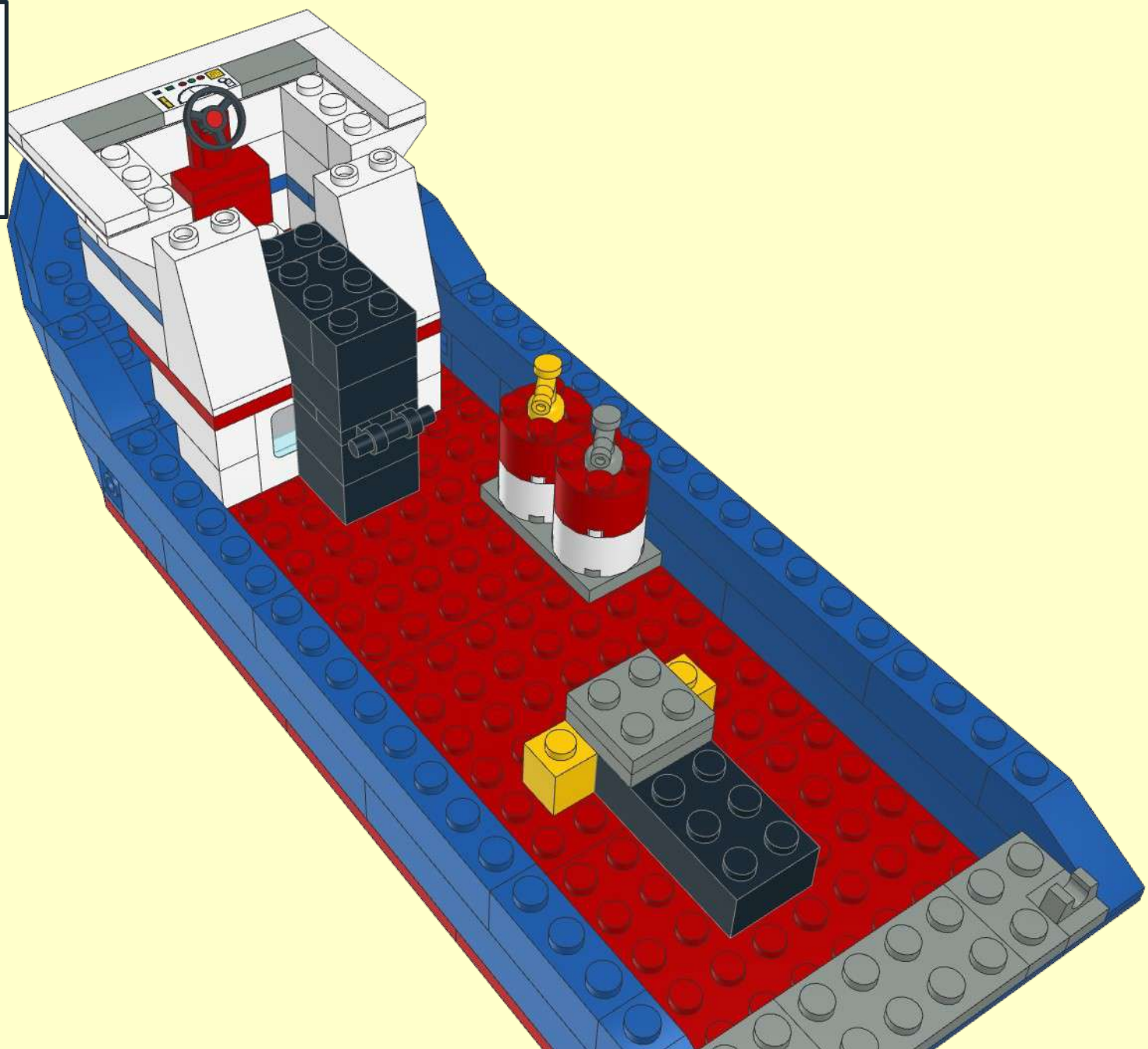
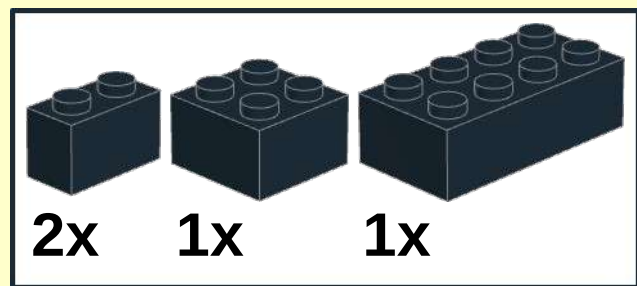




15

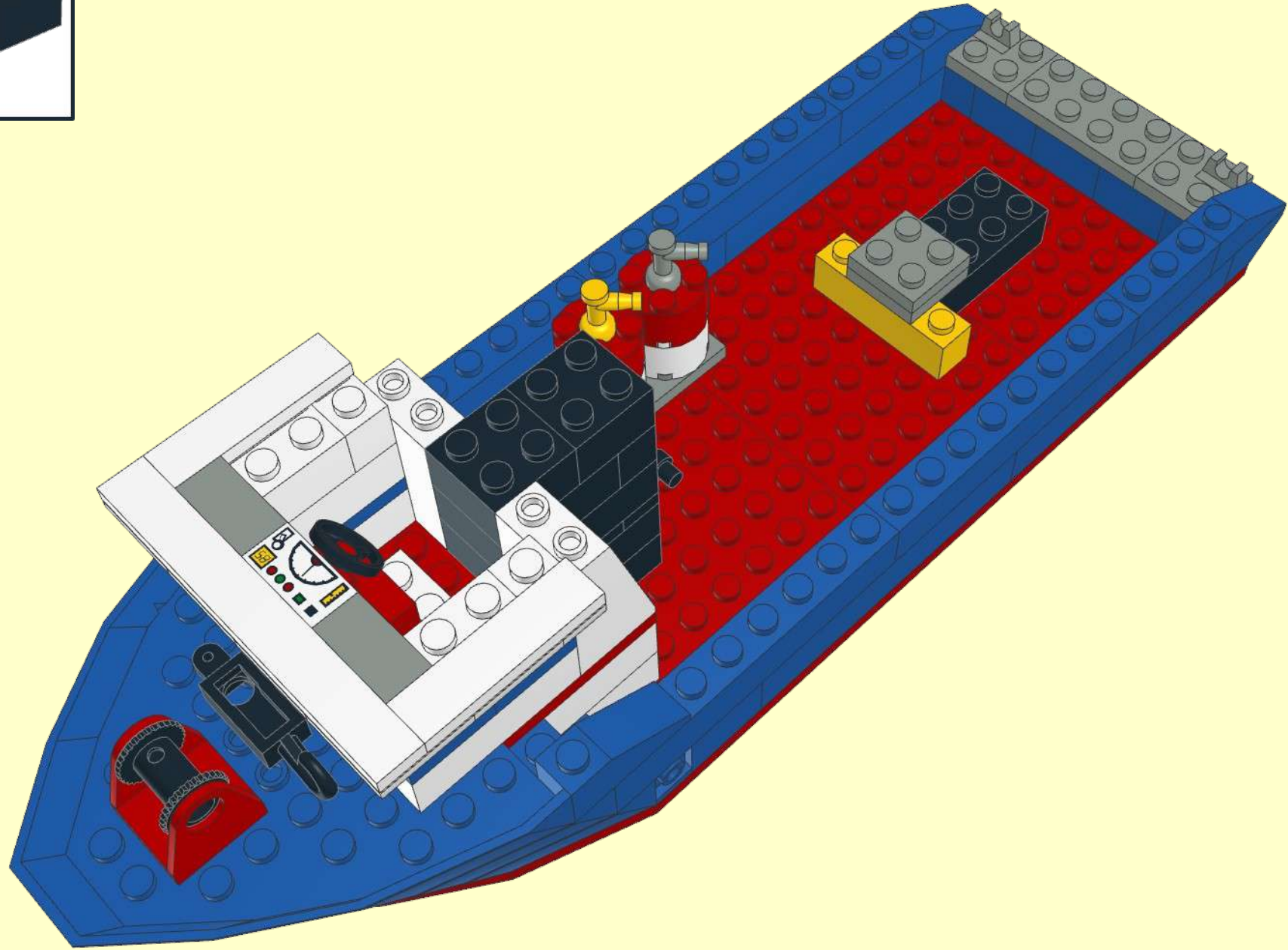
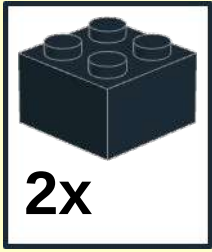


16

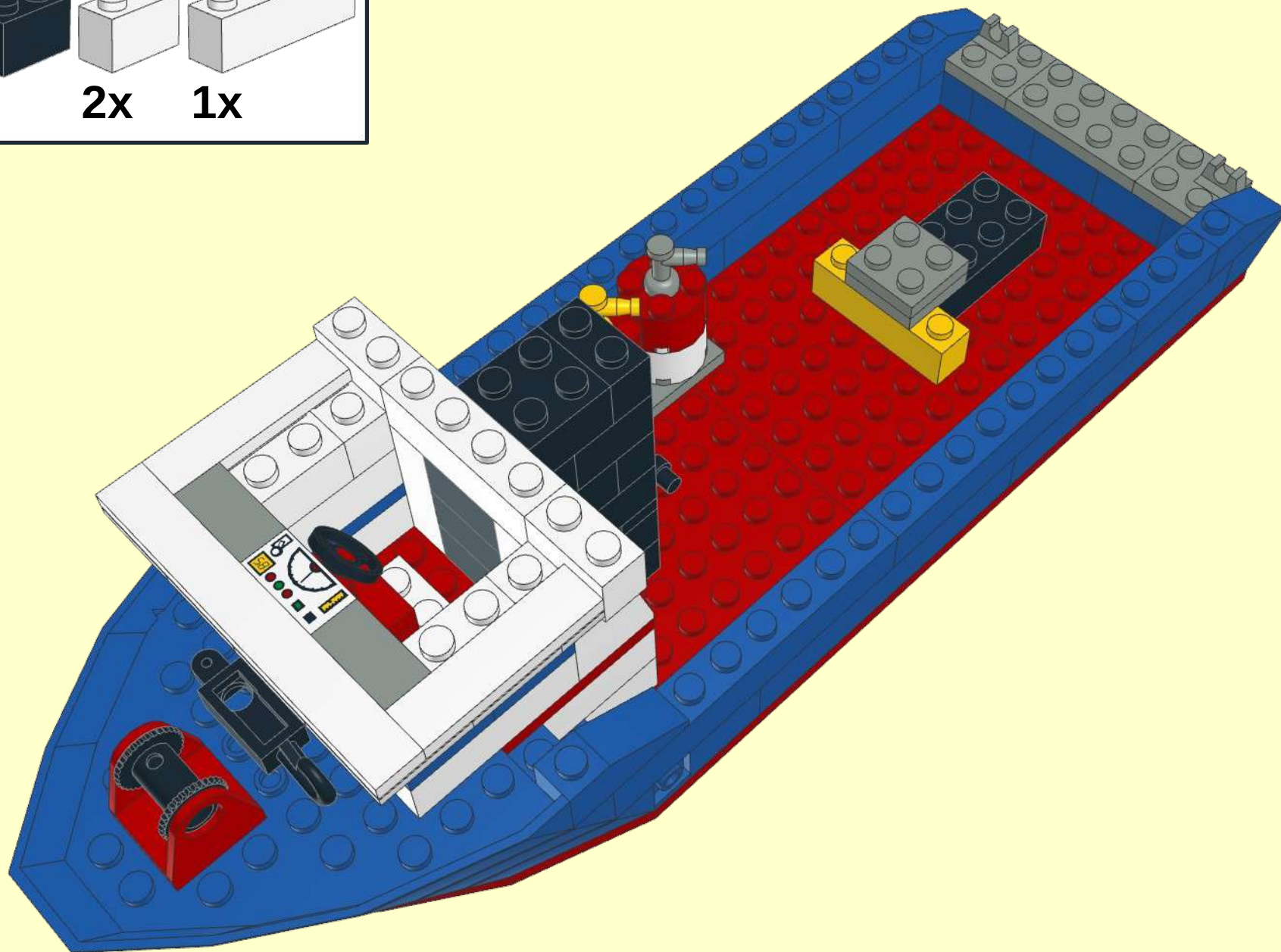
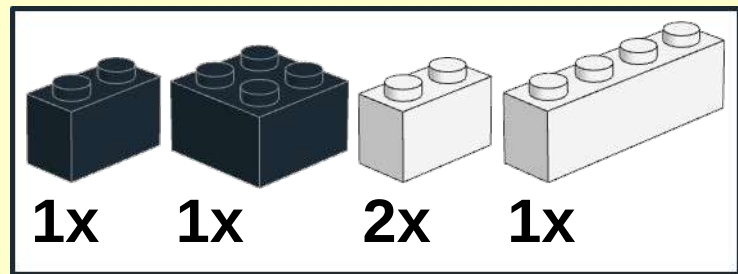




17

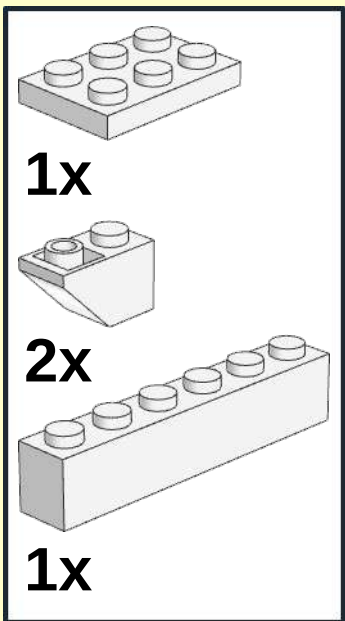


18



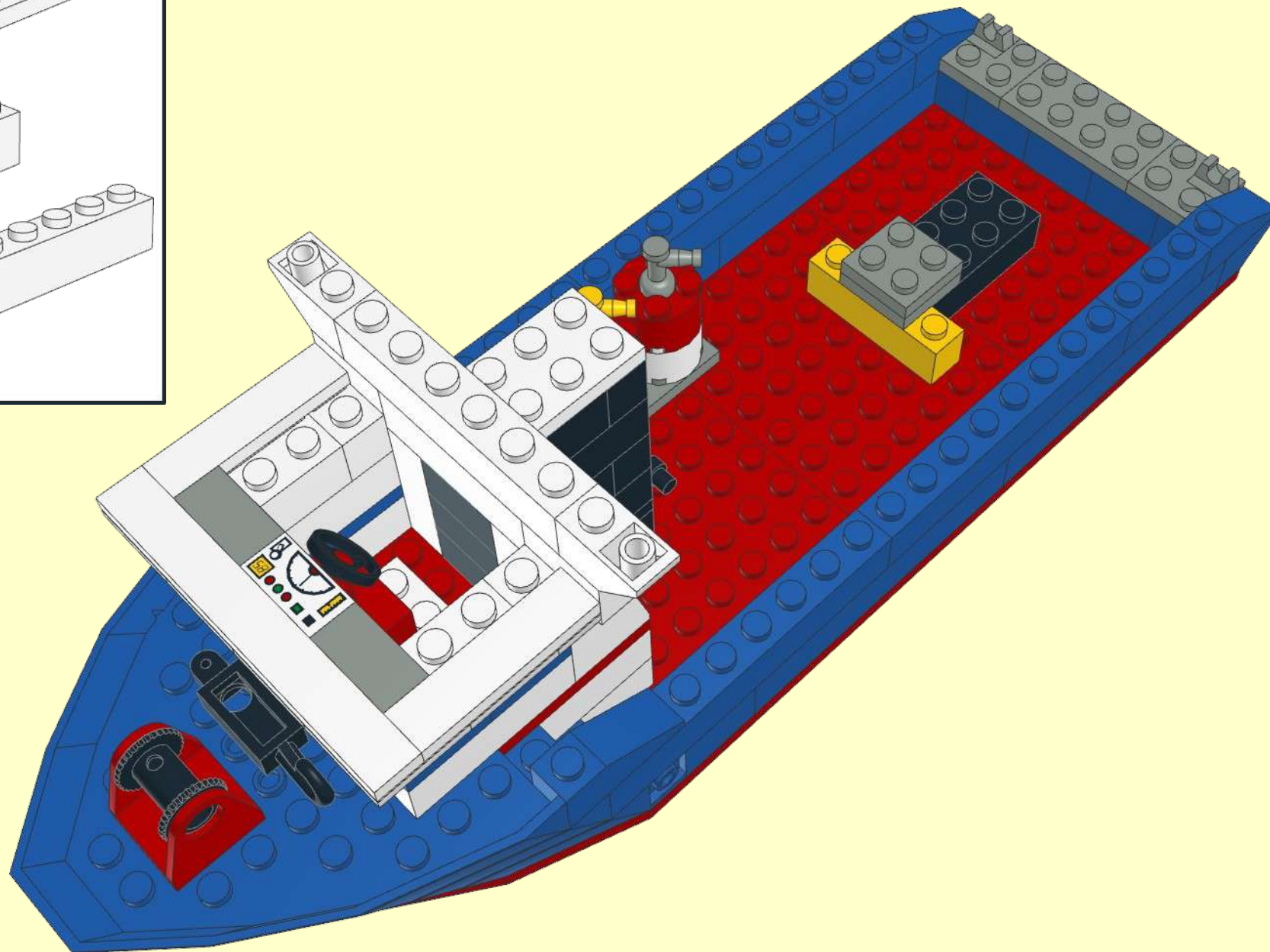


19



1x  
2x  
1x

This inset box lists the parts required for step 19. It contains three items: a 1x6 white Technic plate with 6 studs, a 1x2 white Technic brick with 2 studs, and a 1x7 white Technic Technic beam with 7 holes.





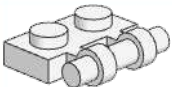
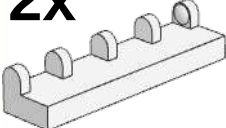
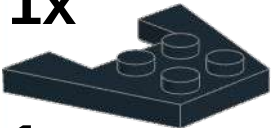



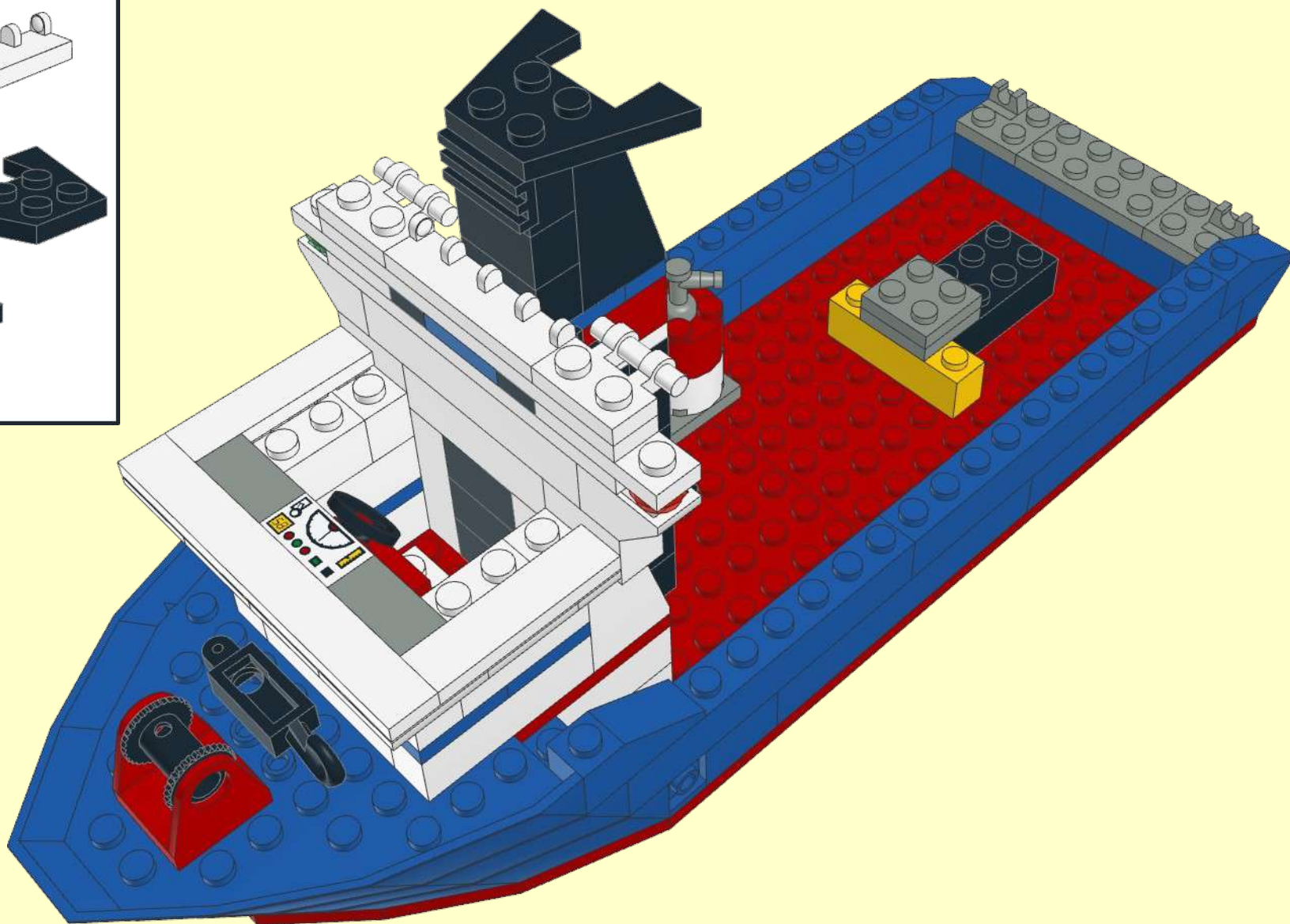




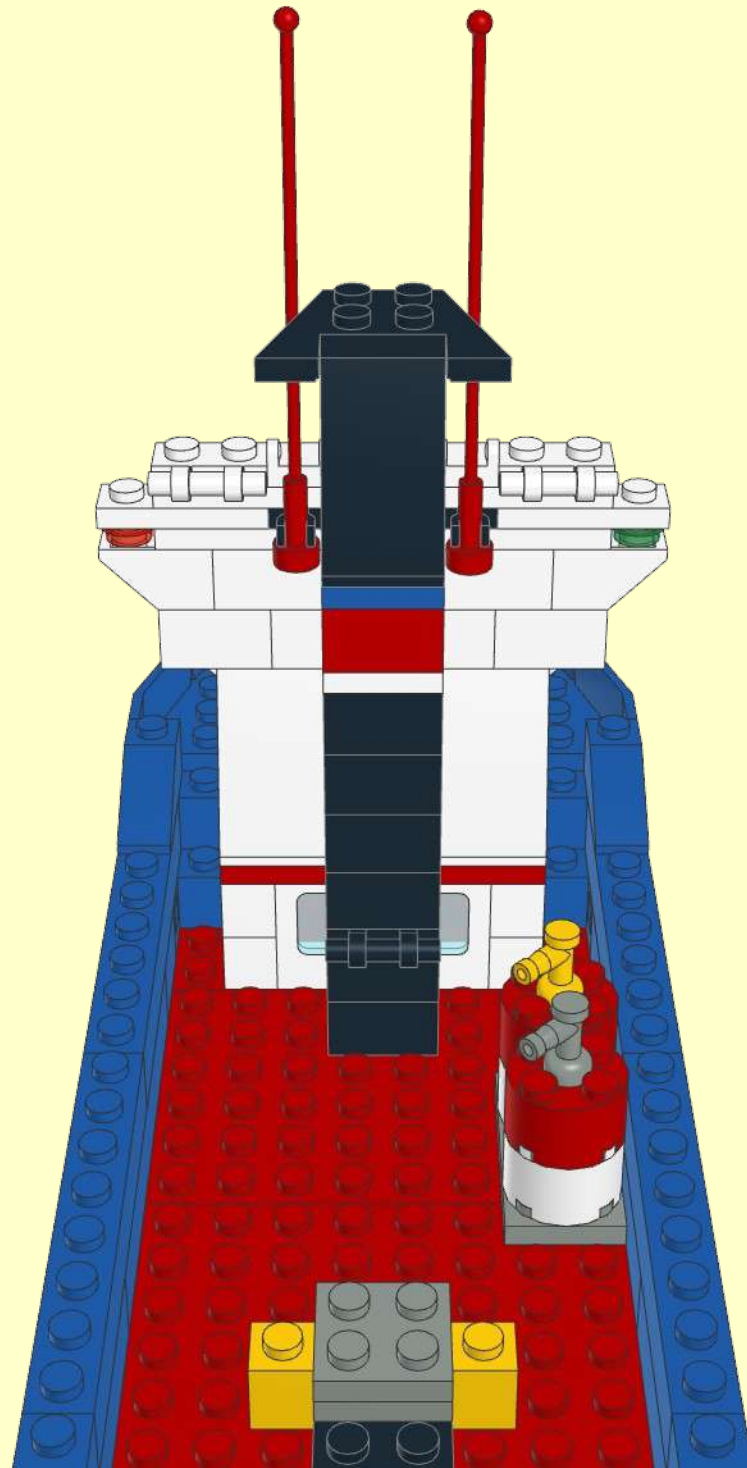


23

-  2x
-  1x
-  1x
-  1x

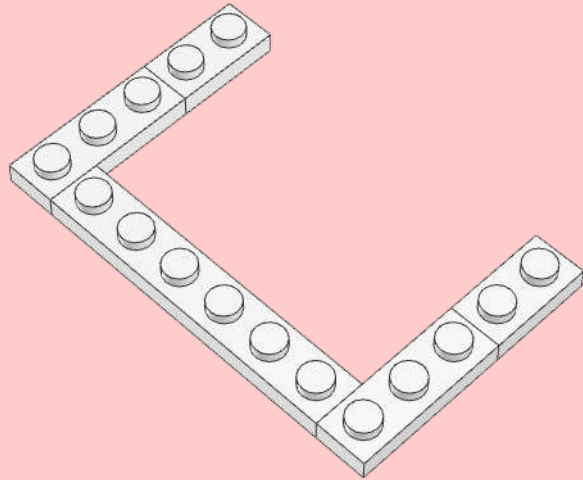
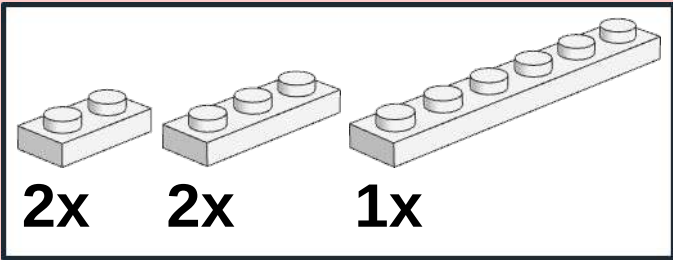
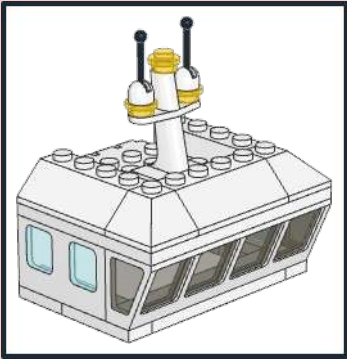


24

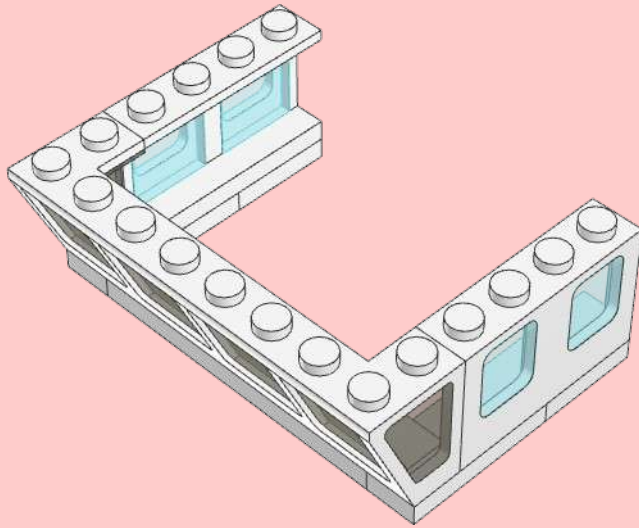
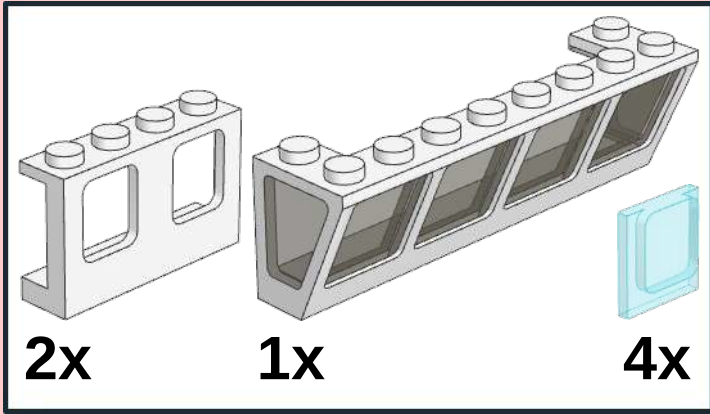




1

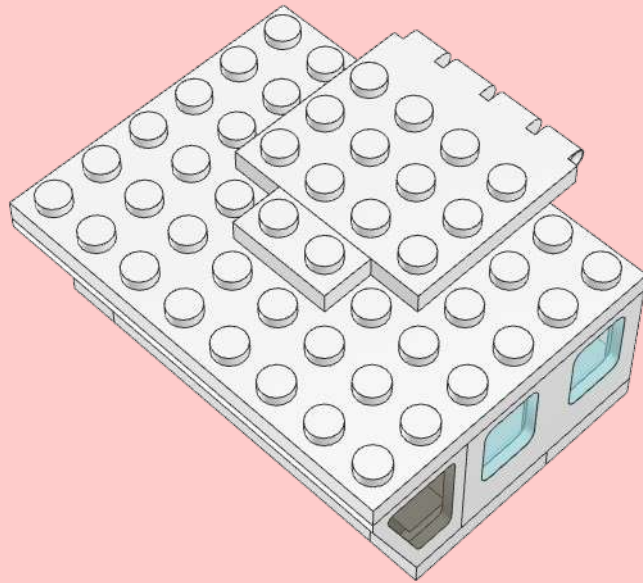
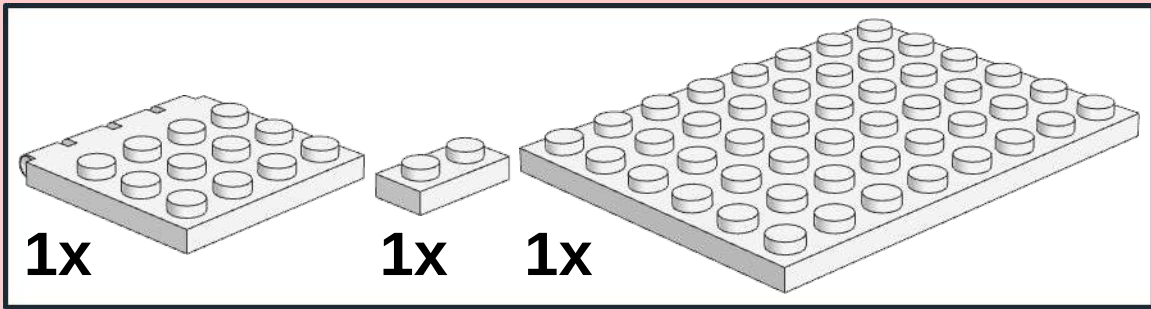


2

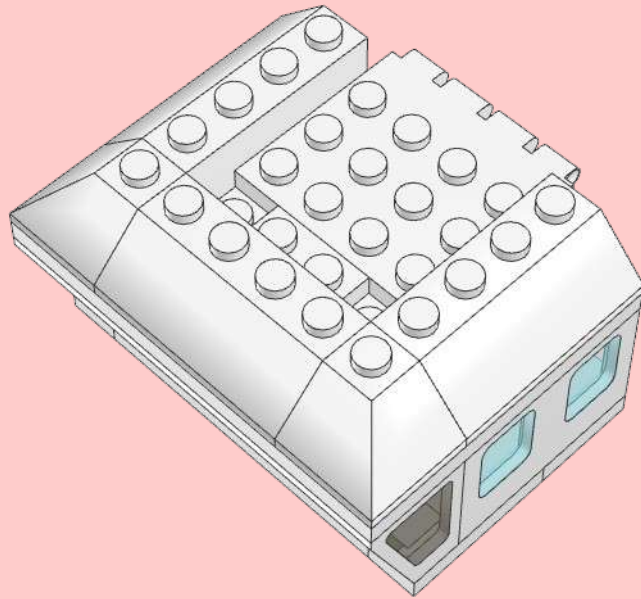
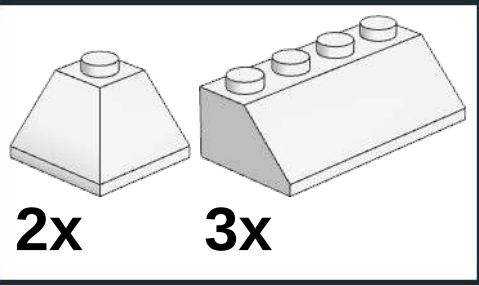




3

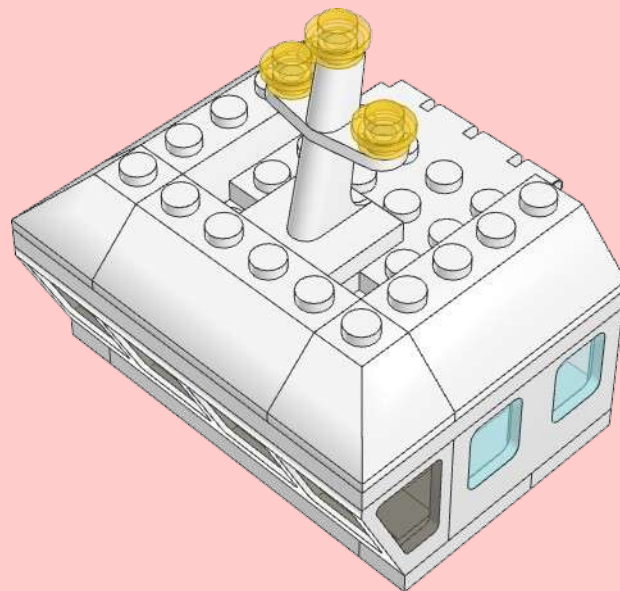
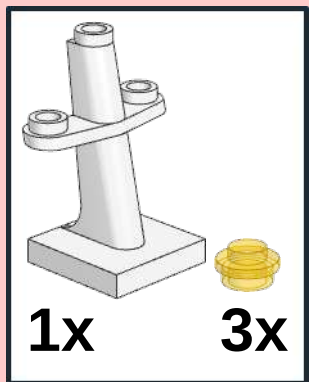


4






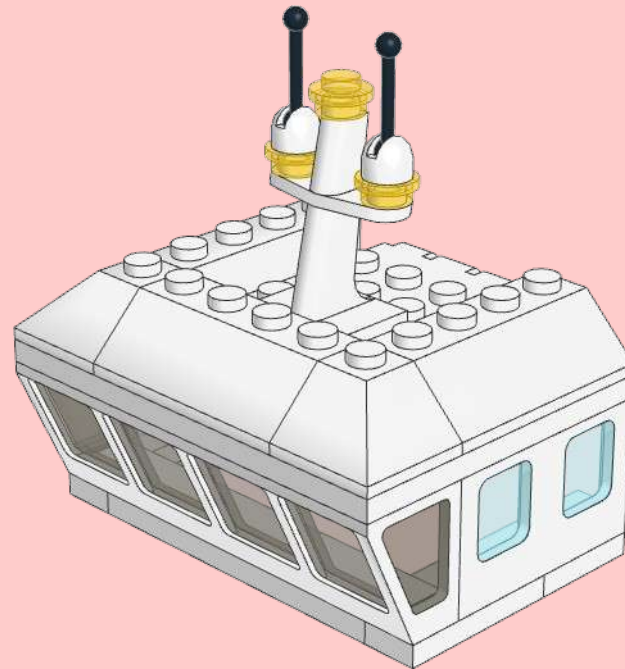
5



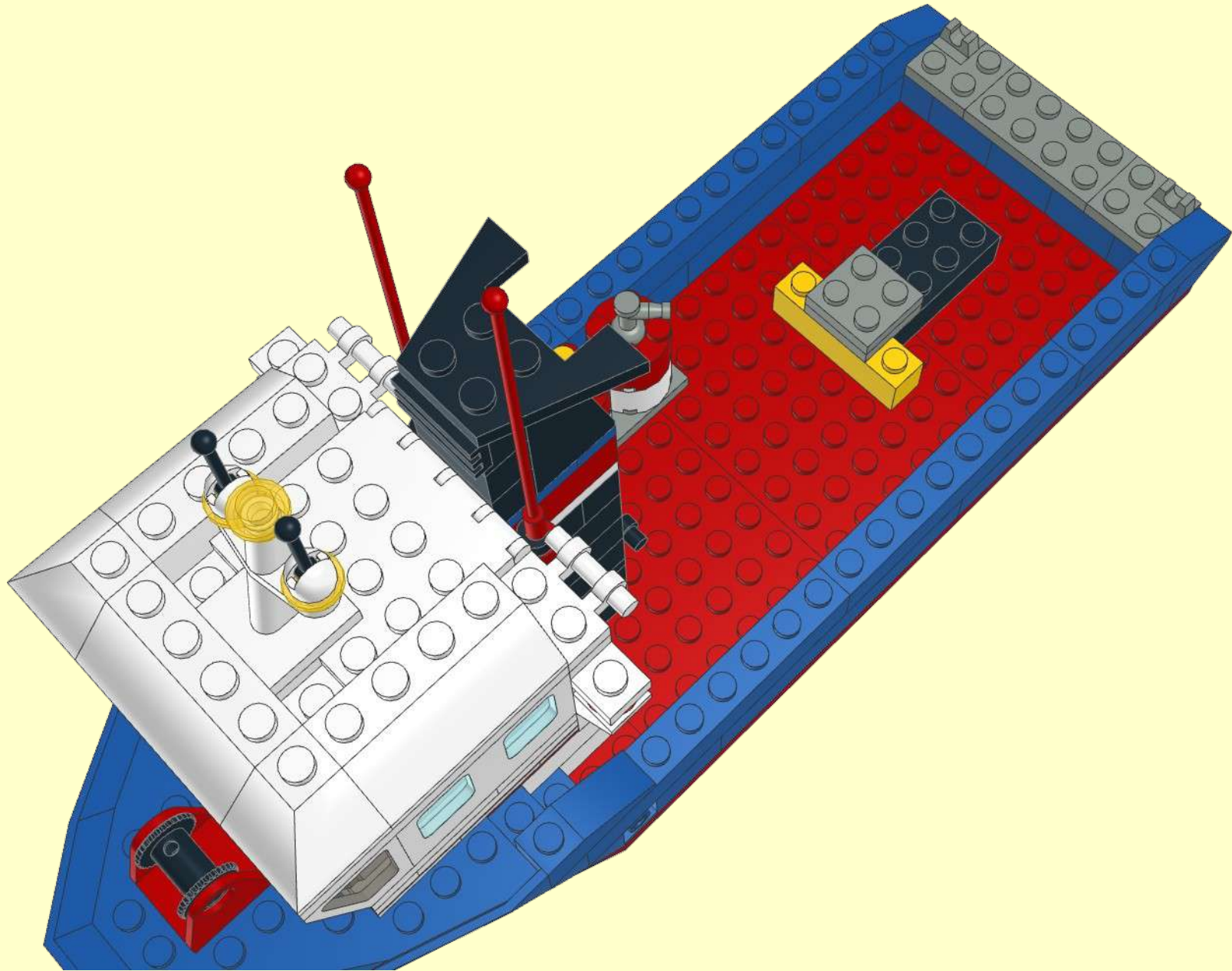
6



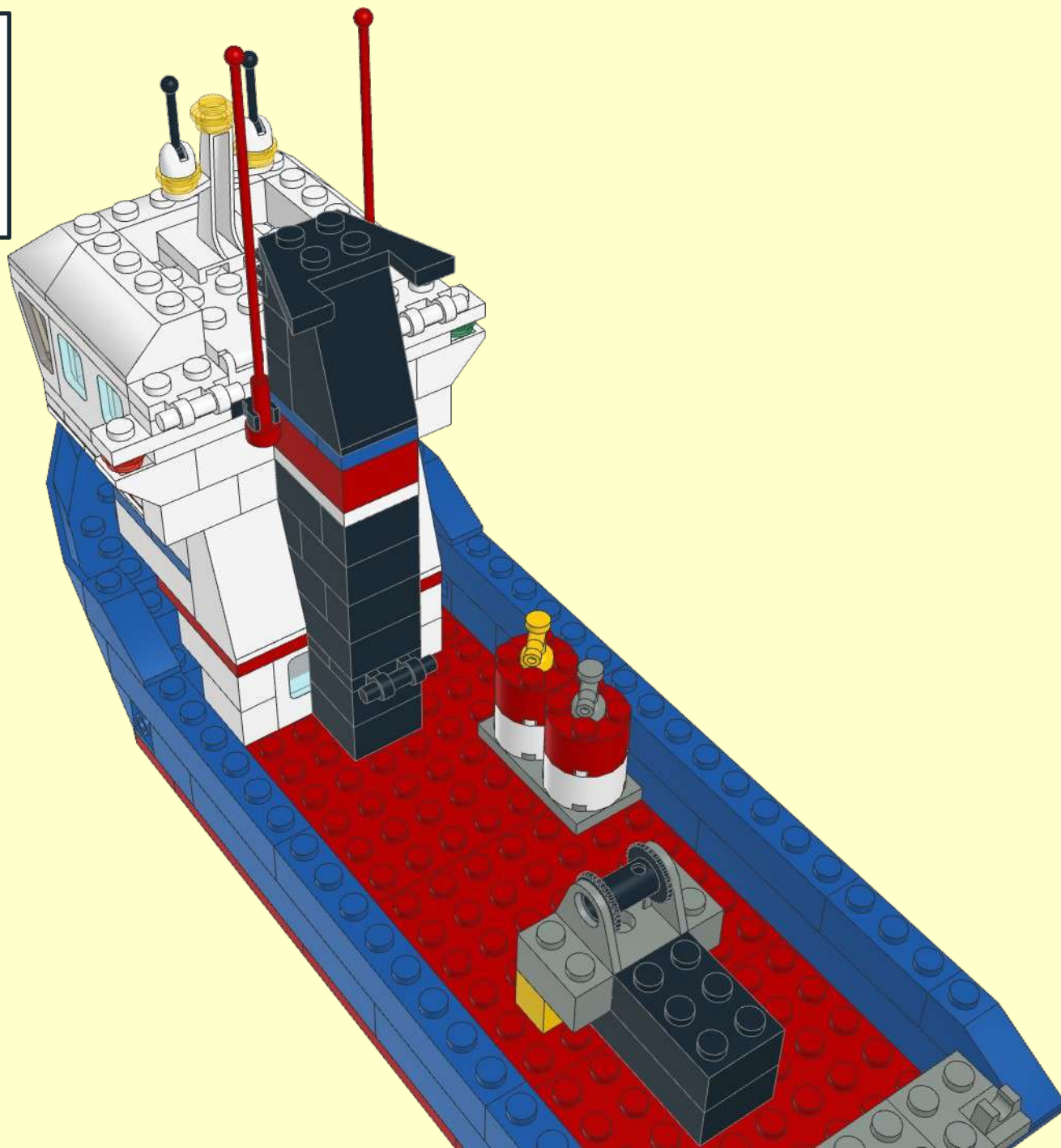
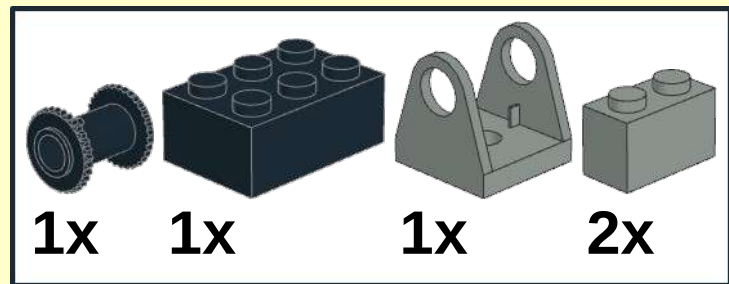
2x 2x



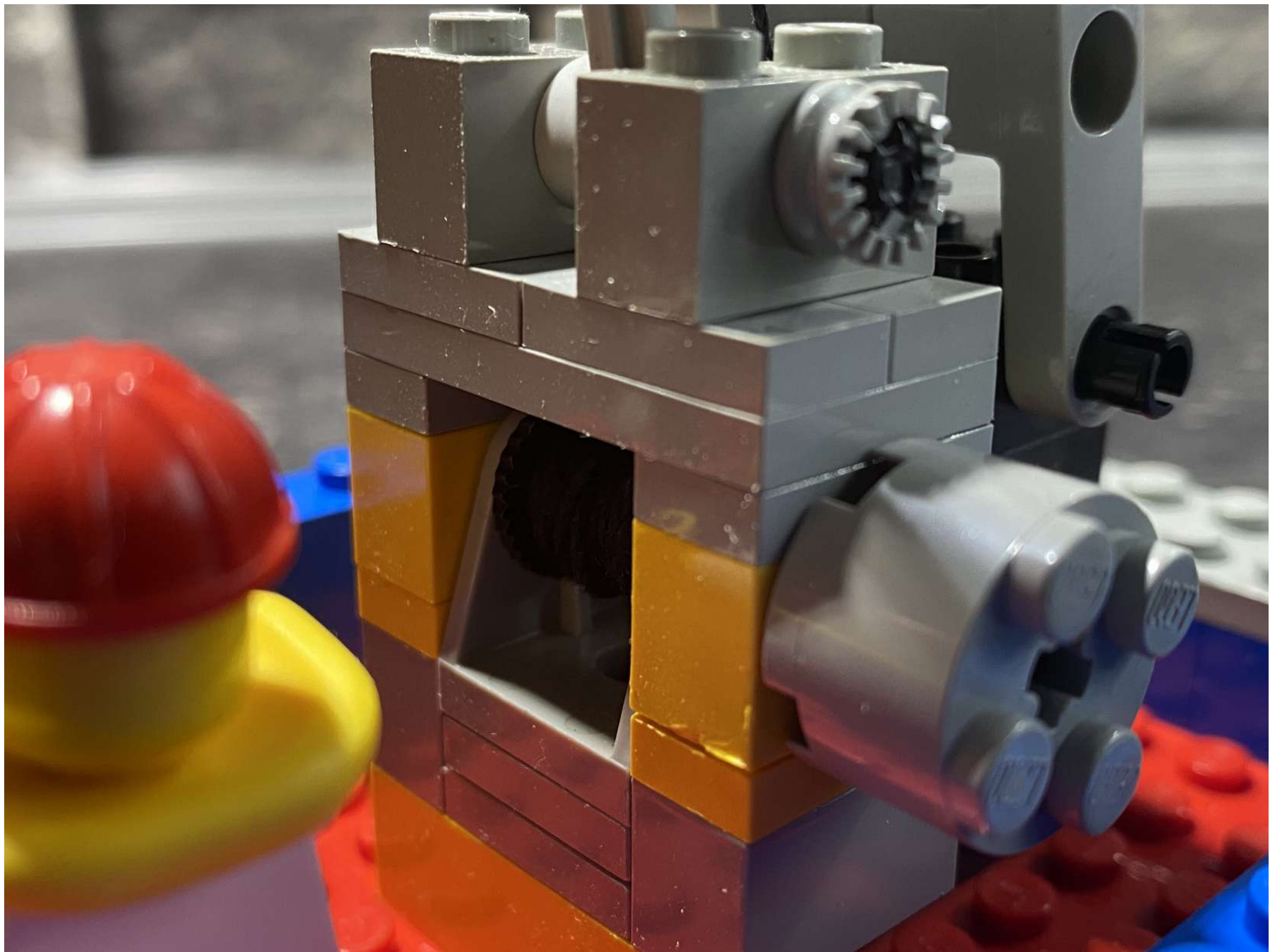




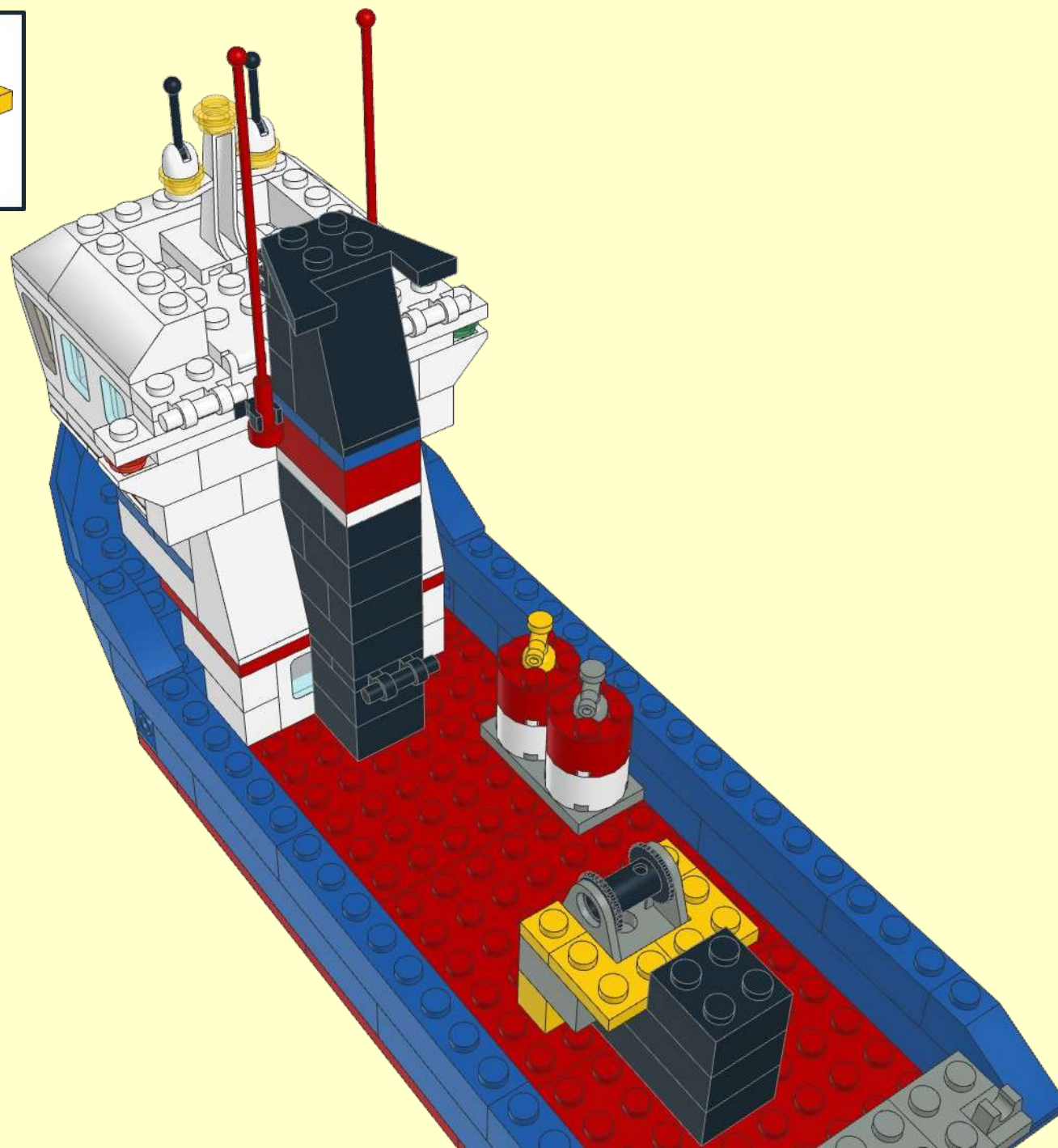
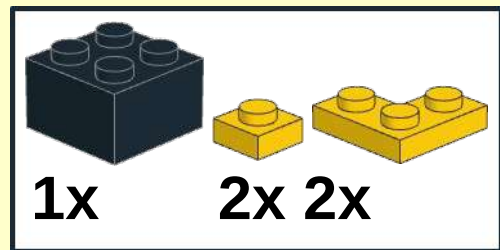
26







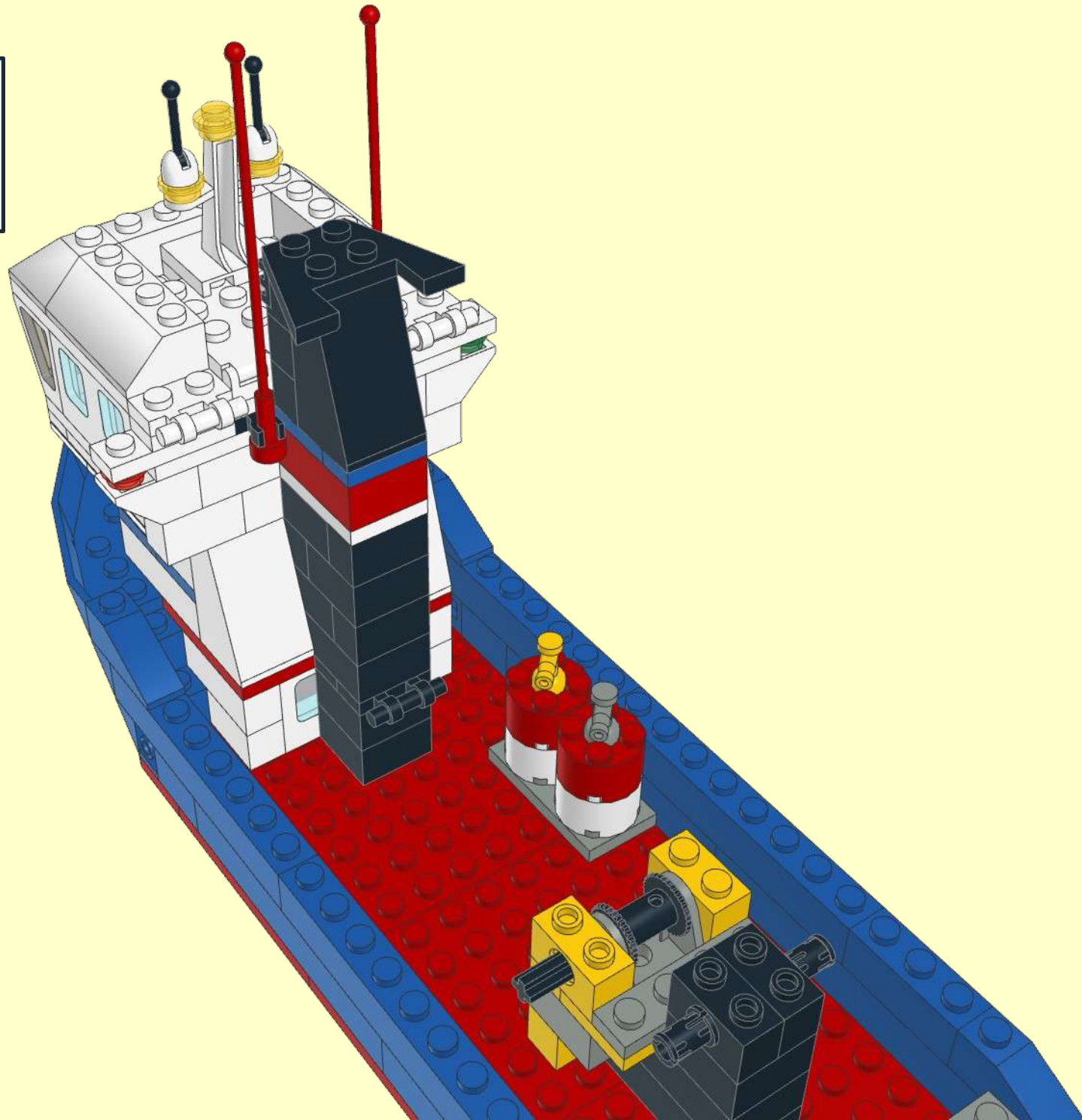
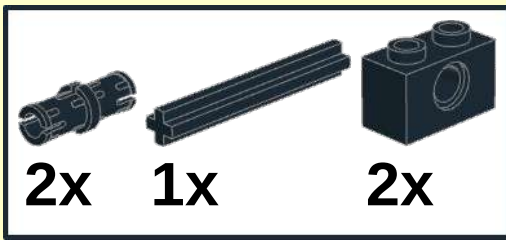
27



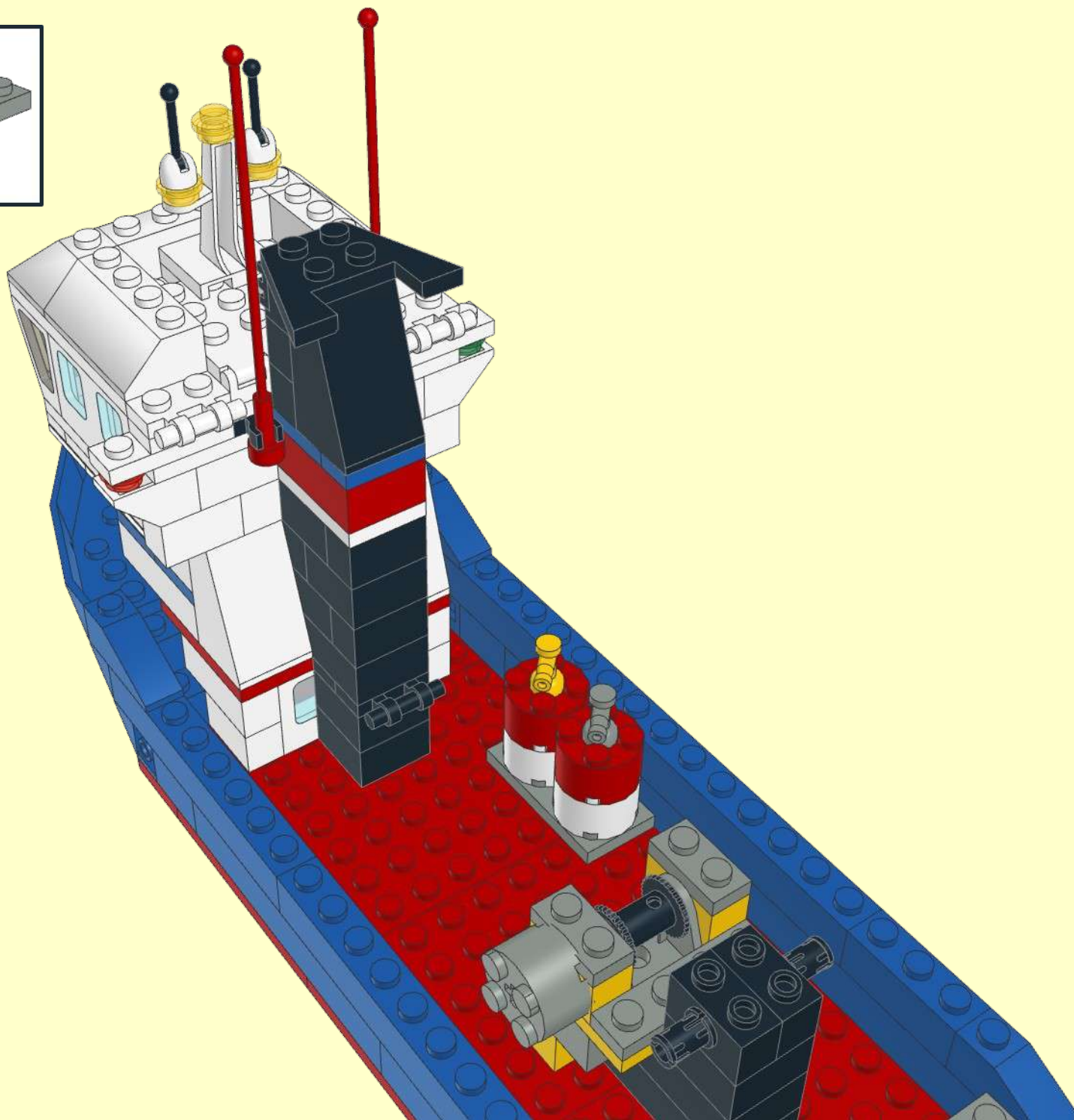
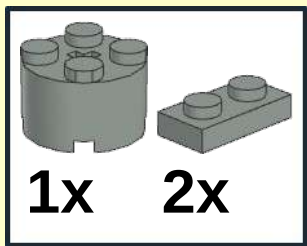




29

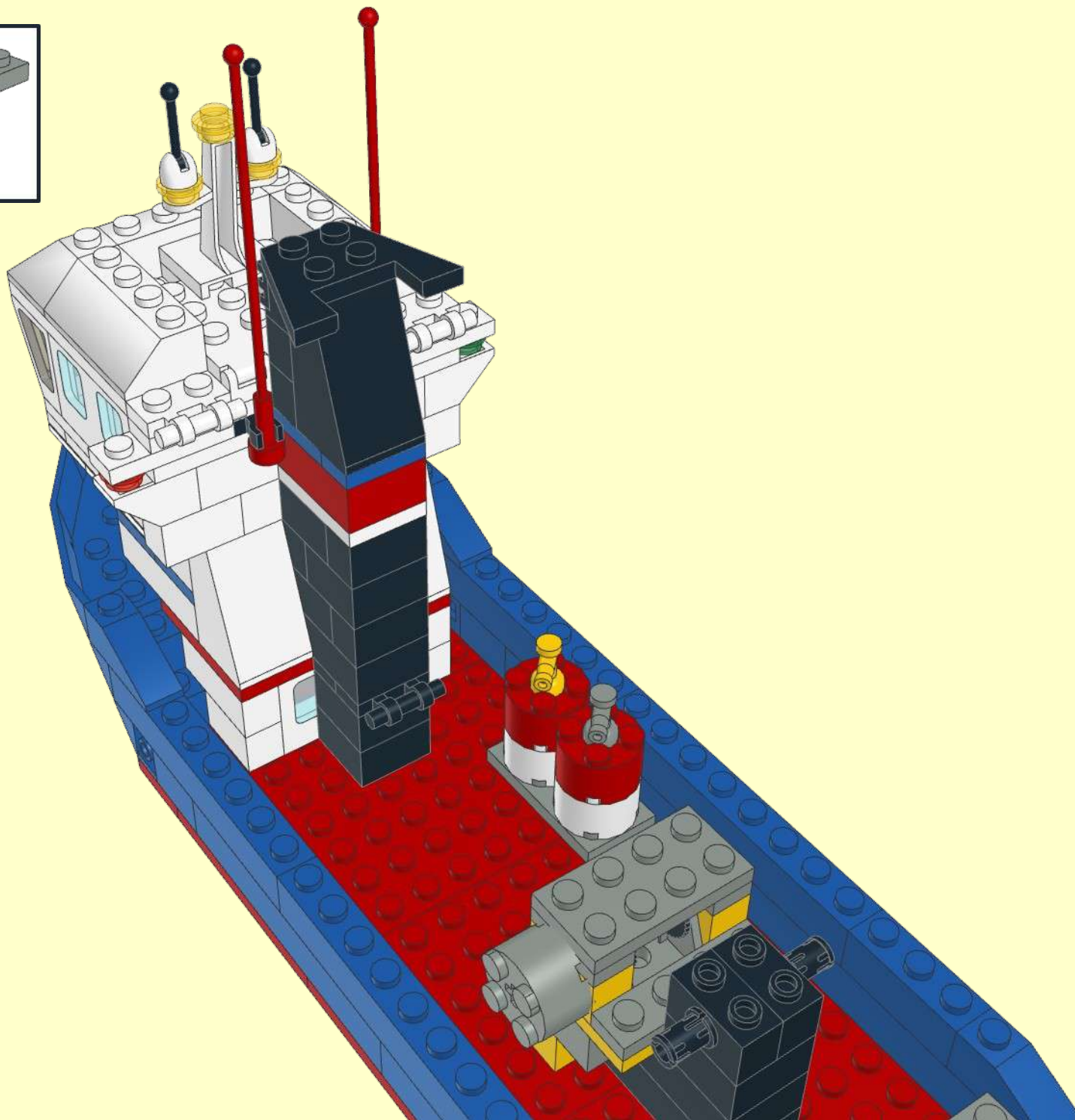
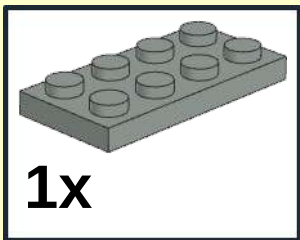


30

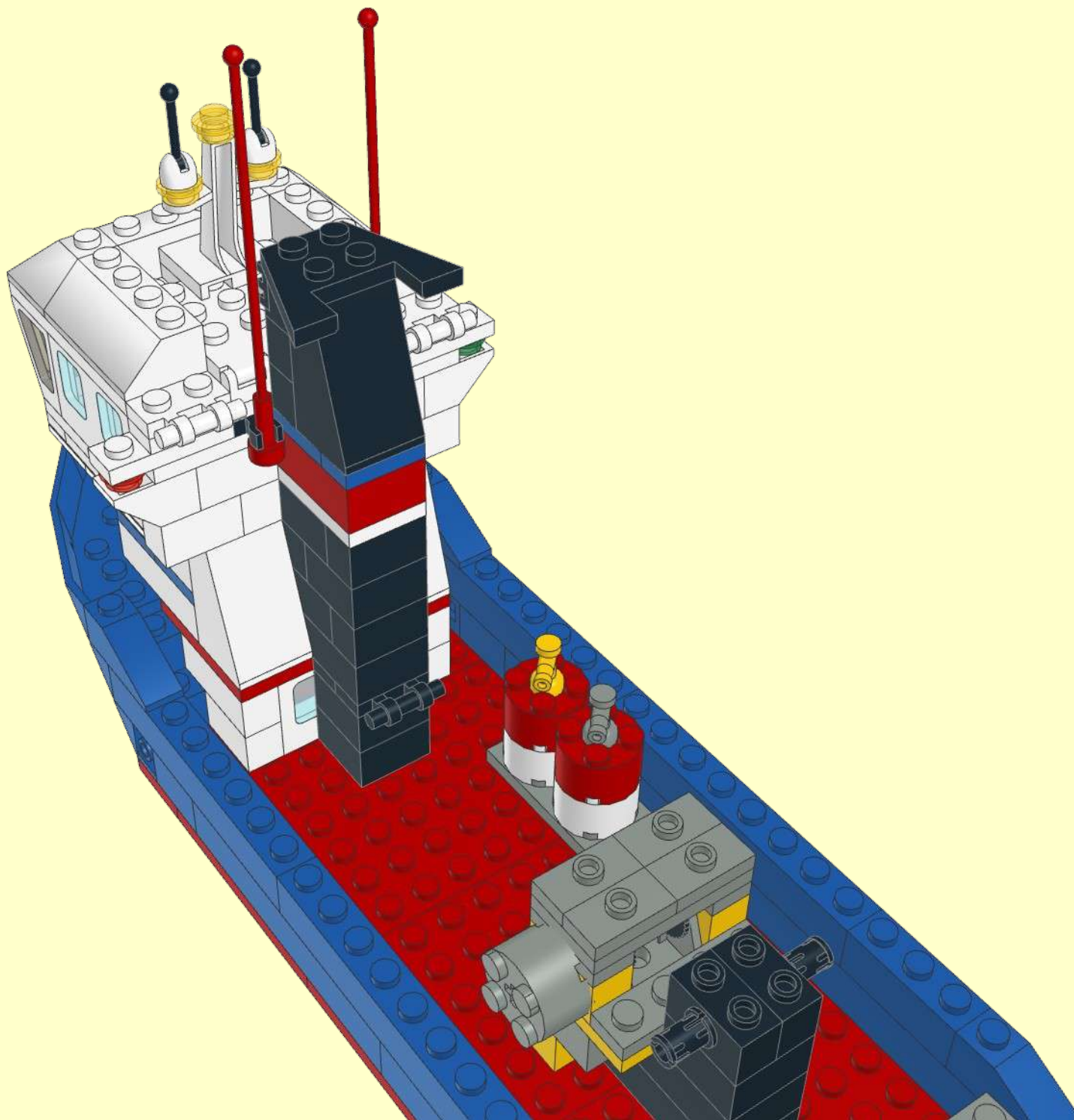
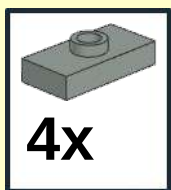




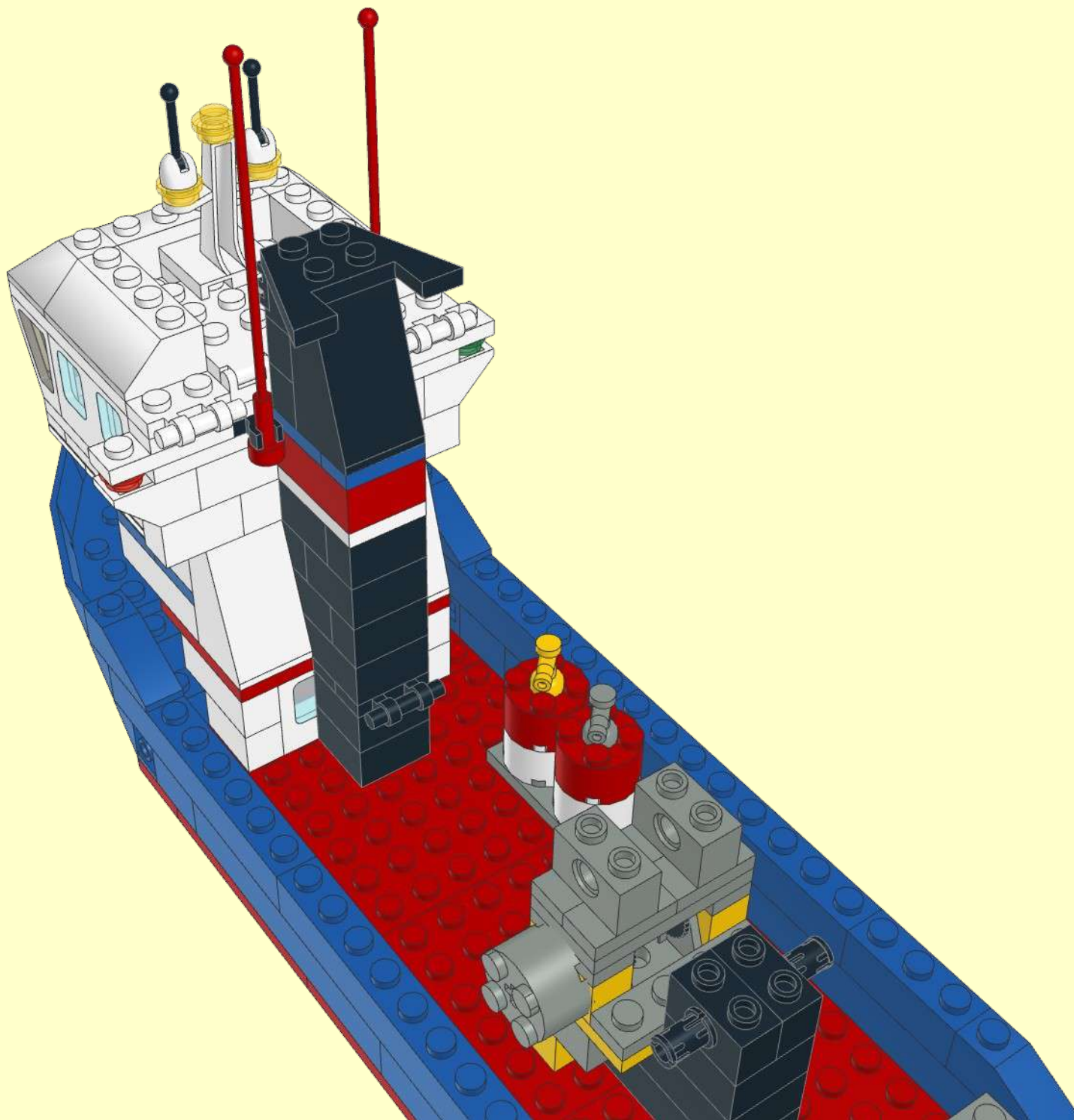
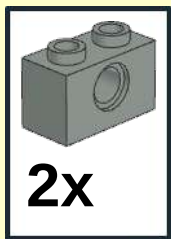
31



32

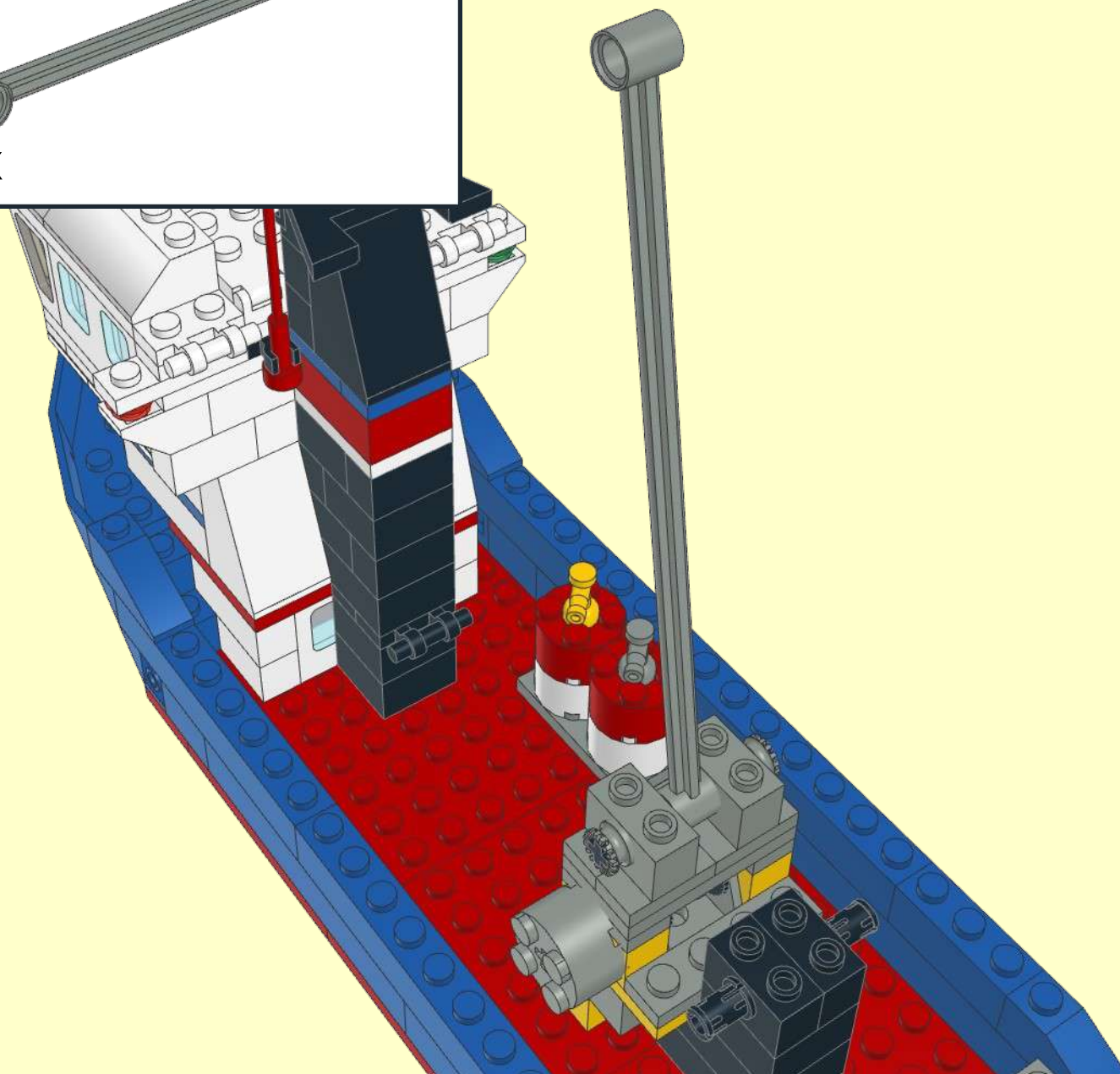
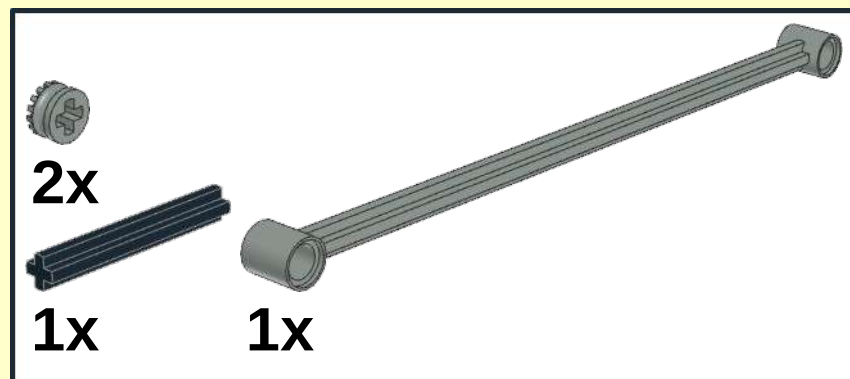


33

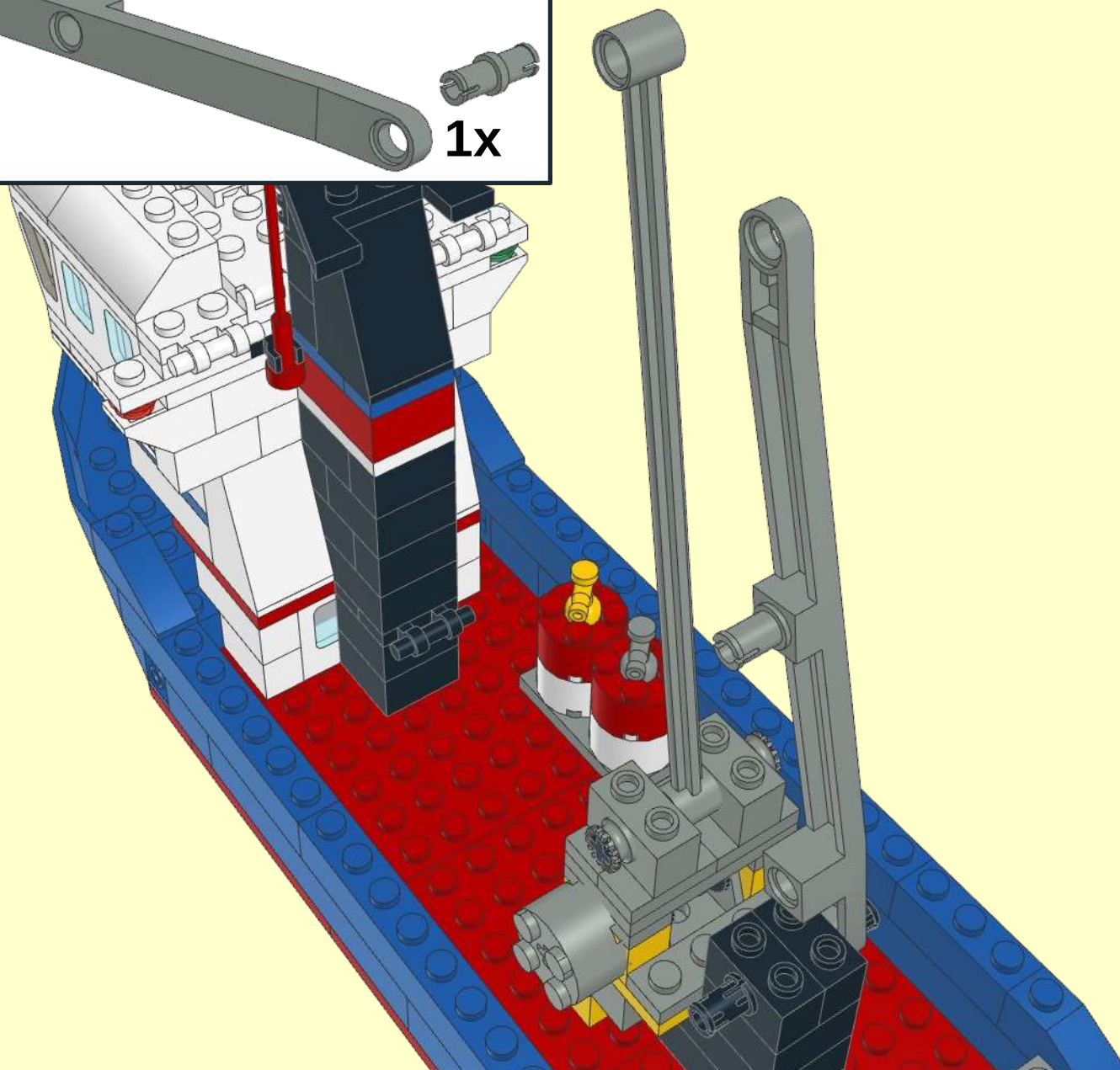
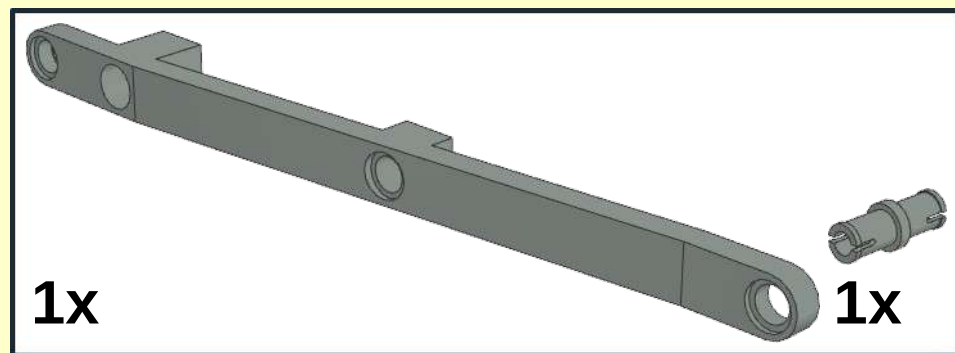




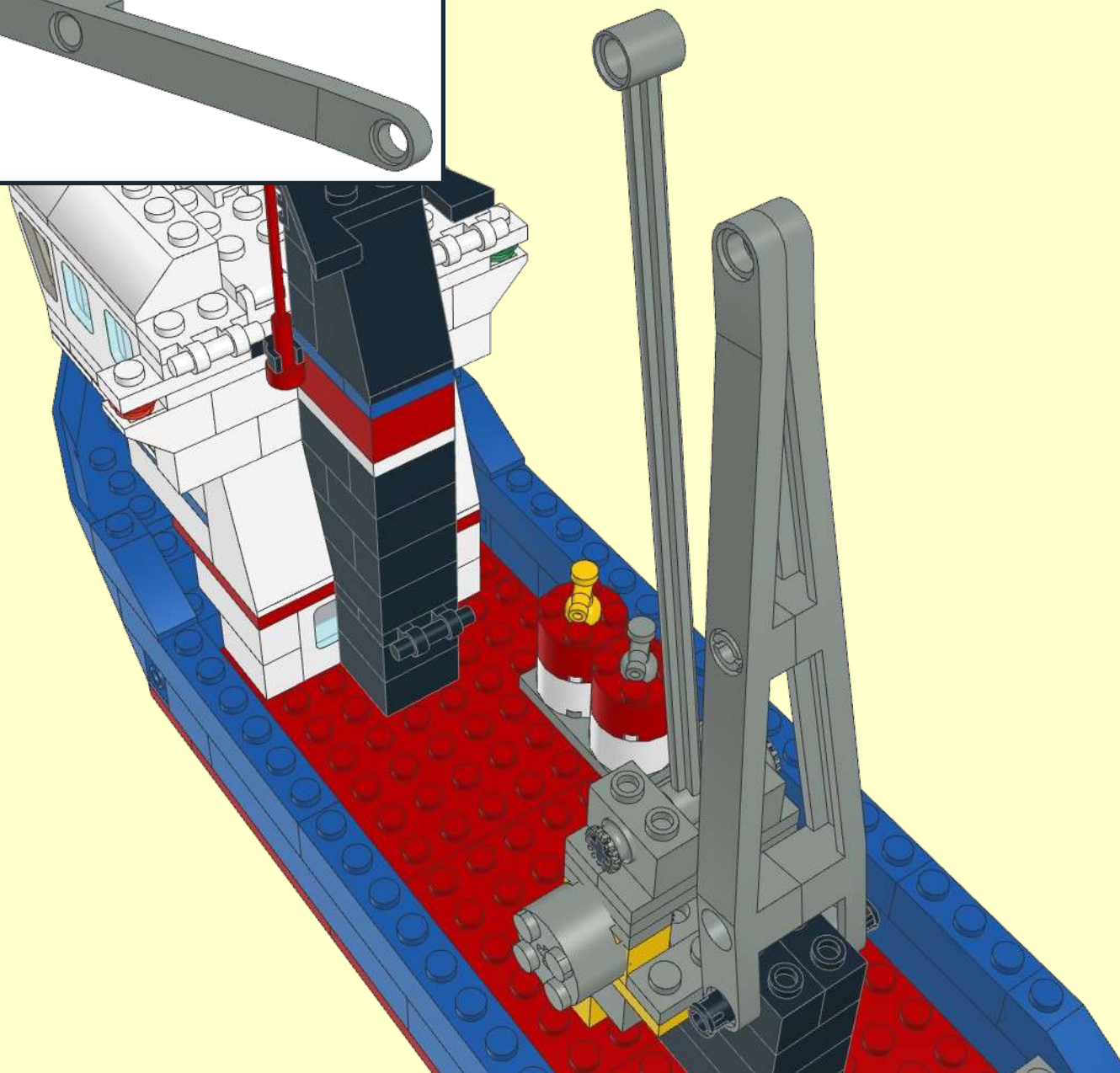
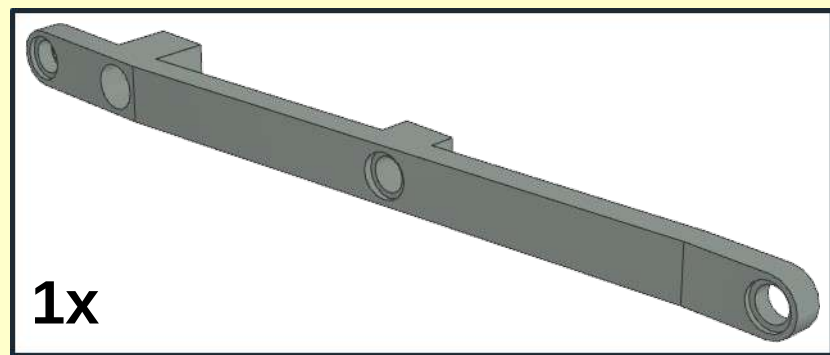
34



35

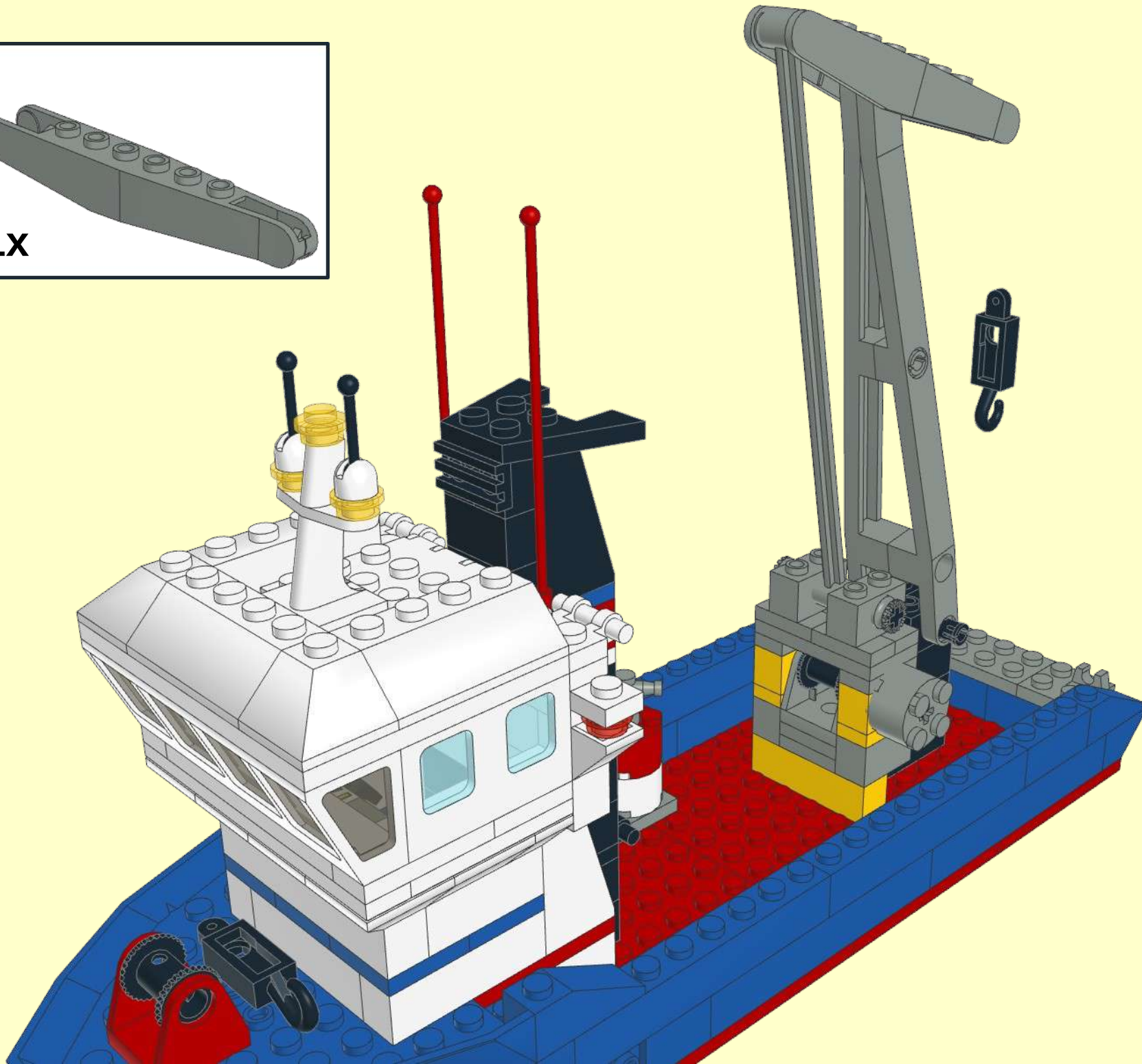
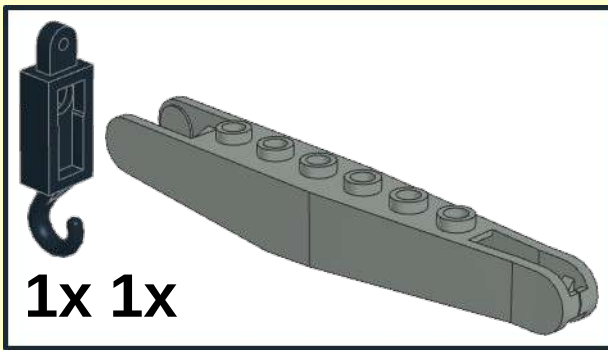


36





37











2

